

HIPPOCAMPE[®]

MARATHON[®] and Trail



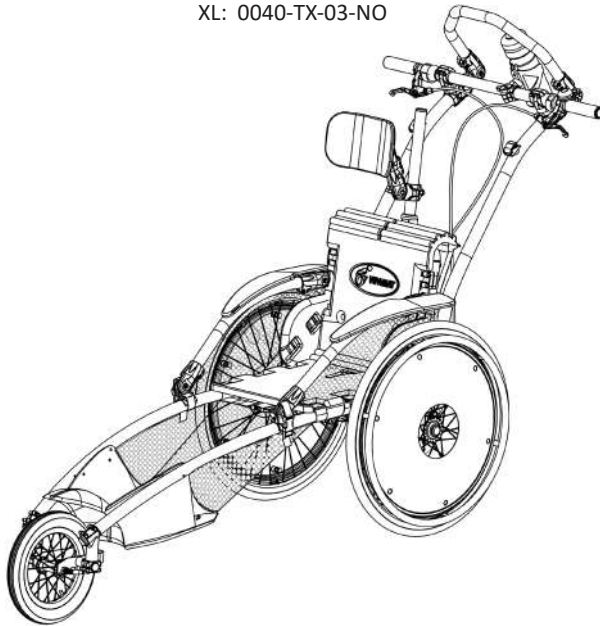
Hippocampe Marathon and Trail

User manuel and Assembly Instructions

M: 0040-TM-03-NO

L: 0040-TL-03-NO

XL: 0040-TX-03-NO



On the drawing the adjustable headrest is an option.

VIPAMAT

3, rue Gustave Eiffel - 56270 PLOEMEUR (France)

Tél : +33 (0)2 97 86 24 87 - Fax : +33 (0)2 97 86 73 81

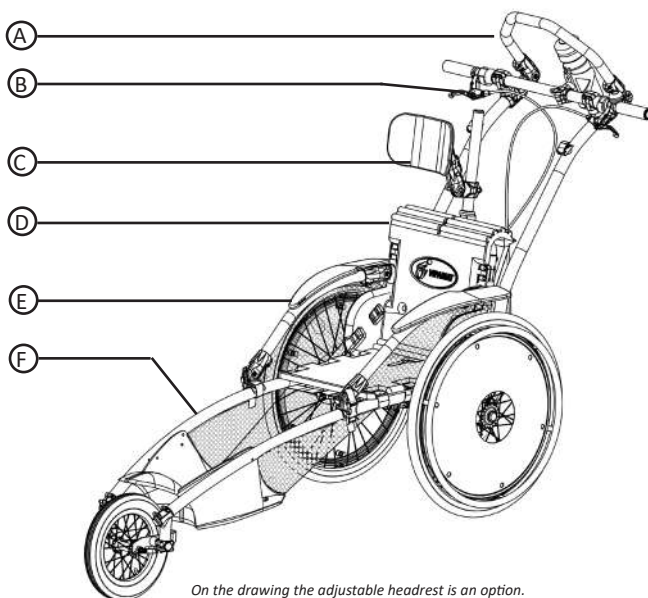
www.vipamat.com - contact@vipamat.com

Congratulations ! You have just acquired a Hippocampe Marathon and Trail wheelchair by Vipamat. This Hippocampe wheelchair is perfectly adapted to the practise of running and offers the possibility to all of taking part in sports events. In relation to the optional add-ons chosen, it can adapt to difficult terrain to allow the user to go on hikes or walks in the countryside...

Table of Contents

1 Discover your Hippocampe wheelchair.....	p2	3.6 Assembly of the optional adjustable headrest.....	p17
2 Legal and Safety Information.....	p4	3.7 Assembly of the optional waist belt.....	p19
2.1 Safety Precautions.....	p4	3.8 Assembly of the optional dual harness.....	p21
2.2 Warranty Terms and Compliance Conditions.....	p5	3.9 Assembly of the push bar.....	p23
2.3 Maintenance and Servicing.....	p5	3.10 Assembly of the optional rain canopy.....	p25
3 Assembly of the Hippocampe wheelchair.....	p7	3.11 Assembly of the optional umbrella.....	p27
3.1 Assembly of the fixed or adjustable backrests....	p7	3.12 Assembly of the optional push horns.....	p29
3.2 Assembly of the pair of wheels.....	p9	3.13 Attachment of the optional Stabilo cushion.....	p31
3.3 Assembly of the pair of armrest.....	p11		
3.4 Assembly of the armrest nets.....	p13		
3.5 Assembly of the footrest net.....	p15		

1 Discover your Hippocampe wheelchair



On the drawing the adjustable headrest is an option.



The Hippocampe Marathon and Trail wheelchair is available in 3 sizes, M, L and XL.

- | | | |
|---------------------------------------|-------------------------------------------------------------|-----------------------------------------|
| Ⓐ Push bar | Ⓑ Brake handles | Ⓒ Adjustable headrest (optional add-on) |
| Ⓓ Fixed height and reclining backrest | Ⓔ Pair of armrests (adjustable, retractable and adjustable) | Ⓕ Chassis of the Hippocampe wheelchair |

IMPORTANT

Keep this instruction manual in a safe place.

It is essential to strictly respect the recommendations and advice given in this document.

The optional add-ons available for the Hippocampe Marathon and Trail wheelchair :



Height-adjustable and reclining backrest



Adjustable headrest



Waist belt



Dual harness



Thermal cover



Backrest bag



Pair of trail wheels



Transport bag



Stabilo Comfortable Plus Duo cushion



Rain canopy



Umbrella



Push Horns



Bag for the 24 inches wheels

2 Legal and Safety Information

2.1 Precautions for use

1. It is imperative to strictly follow the recommendations and advice given in this document.



Before each use of the Hippocampe wheelchair, ensure that the wheels are correctly secured and firmly attached to the chassis. To do this, pull each wheel outwards. (cf. 3.2).

2. Ensure that the axle of the front wheel is securely fastened.

3. Ensure that the buckles of the waist belt close correctly.

4. Before each use of the wheelchair, ensure that the brakes function correctly. To do this, lock the disk brakes using the two spring lock positioned on the handlebars. Check that the wheelchair is immobilised by pushing it lightly.

5. Before each use of the wheelchair, ensure that the push bar is well inserted by pressing on each clip and by checking that the clips protrude at the connecting parts (see 3.9).

6. It is imperative that an accompanying person with the ability to guide, push and hold the wheelchair is present for each use of the wheelchair.

7. Check that the user's hands and feet are in the correct position before and during use (you can attach the protection nets if necessary).

8. For safety reasons, for each use of the wheelchair, the accompanying person must wear the red strap around his/her wrist (this is attached to the chassis).

9. If the person pushing the wheelchair is running in a relay race, the wheelchair must be immobilised so that the next person pushing places the red strap around his/her wrist.

10. For safety reasons, the user must be seated towards the back of the seat, with his/her back resting against the backrest.

11. During races and sports events, it is recommended that the dual harness or waist belt option is used to ensure that the user is secured.

12. Do not press too hard on the push bar when you want to lift the front wheel to turn.

13. For safety reasons, the user must wear a helmet.

14. The Hippocampe wheelchair has been designed to seat a single person with a maximum weight of 100 kg.

15. Ensure that the wheelchair is stabilised in bends.

16. For safety reasons, do not use the Hippocampe wheelchair if the slope is steeper than 7°.

17. Do not pass over obstacles higher than 10 cm with the Hippocampe wheelchair.

18. Do not pass under obstacles with the Hippocampe wheelchair.

19. Do not stand on the wheelchair or on the footrest.

20. It is not advised to use the wheelchair if a tyre is burst or flat.

21. Do not modify the Hippocampe wheelchair with components other than those provided by Vipamat.

22. The wheelchair should not be used if one of the components is faulty.

23. The seat and the backrest of the wheelchair comply with the M1 standard. However, the product must be kept away from fire or open flames.

24. In the case of any doubt about the safe use of the Hippocampe wheelchair, do not further use the wheelchair until you have contacted Vipamat's customer service by telephone (00 33 (0)2 97 86 24 87) or by email (contact@vipamat.com).

2.2 Warranty Conditions of Declaration of Compliance

Vipamat, as a manufacturer, declares that the Hippocampe Marathon and Trail Wheelchair, Class 1 device and its medical device accessories comply with Regulation (EU) 2017/745 of the European Parliament and of the Council and complies with all applicable provisions of the European Directive 93/42/EEC and with Book II of the French Public Health Code. This product is guaranteed for 2 years 'parts and labour' from the date of purchase (as per the invoice).

The warranty covers the replacement of faulty parts. This warranty is not applicable in the case of improper use and does not take account of wear and tear of the parts due to use of the wheelchair. Given the conditions in which the Hippocampe wheelchair can be used, its expected lifespan is 4 years after the purchase date.

The serial number of the product is engraved on the back axle of the chassis. Each optional add-on has its own serial number engraved on it. This number may also be printed on the label on the packaging or on the optional add-on.

To dispose of the Hippocampe wheelchair in the trash, go to a recycling center and put it in the right recycling category.

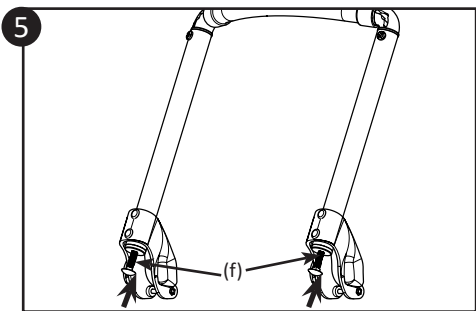
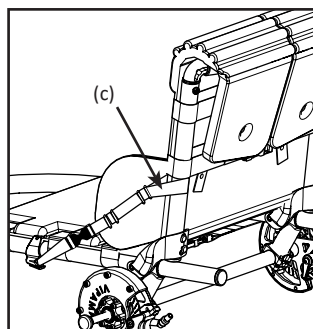
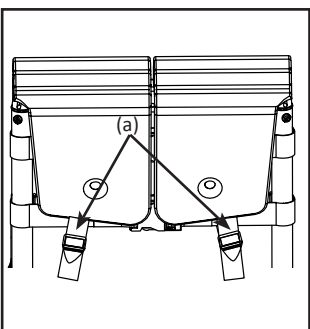
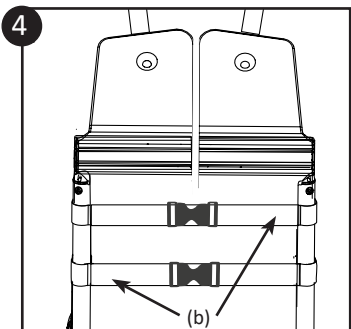
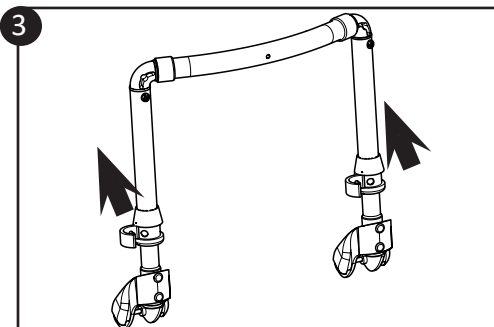
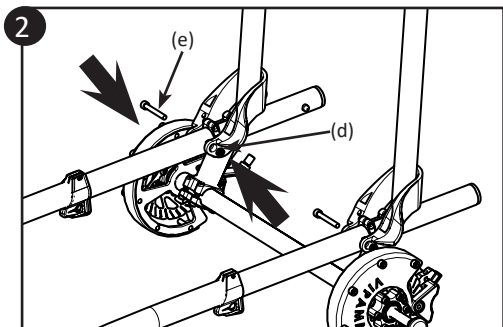
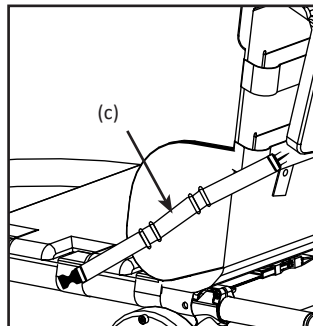
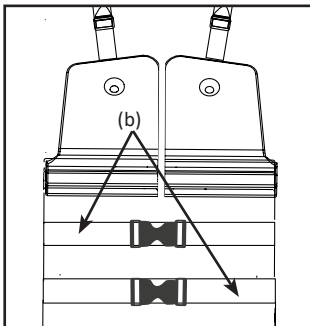
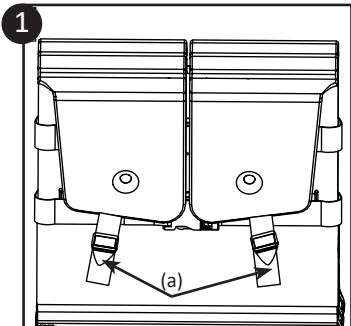
2.3 Maintenance and servicing

We recommend that you clean your Hippocampe wheelchair with a damp cloth. If the wheelchair is dirty (mud, dirt, etc.) it is possible to rinse it with water.

Maintenance of the disk brakes:

The disk brakes require little maintenance. However, please ensure that you do not project oil or any other lubricating material on the disk or the pads.

The pads are covered with a special lining. When this is completely worn out, the pads rub on the disk, thus wearing it out. It is therefore necessary to change the pads. We recommend that you contact your reseller of Vipamat directly to replace the worn out parts. Vipamat assumes no responsibility in the case of deterioration due to this oversight.



3 Assembly of the Hippocampe Marathon and Trail wheelchair

3.1 Assembly of the fixed height and of the optional Height-adjustable backrest (0004-00-01) (0005-00-01)

- 1 Open the buckles of the vertical straps (a) then unclip the belt straps (b) and the 2 lateral straps (c) of the Hippocampe wheelchair seat.
- 2 To attach the backrest to the chassis tubes: position the backrest on the chassis tubes, insert the nuts (d) in the groove provided and tighten the screws (e) using the Allen key provided.

Checks : The backrest should be able to tilt forward and the screws should protrude from the nuts by about 3 mm.

3 Adjustment of the height for the adjustable headrest only:

Open the push-lock system, adjust the headrest to the desired height and then lock the push-lock system.

4 Reposition all the straps in the wheelchair seat:

- Buckle the 2 large horizontal straps (b) and tighten them well using the belt loops, without forcing.
- Insert the 2 vertical straps (a) into the buckles and tighten them, without forcing.
- Buckle the small lateral straps (c) by passing them around the tube of the backrest.



If you need to assemble a headrest or a pair of armrests, go to the following pages before replacing the straps.

Checks:

- Check that the buckles of the large straps (b) (40 mm) remain secured when you pull on each side of the buckle.
- Check that the straps (b) are taut and pass through the slots of the seat.
- Check that the 2 vertical straps (a) of the seat pass through the loops of the strap and are taut.
- Check that the lateral diagonal straps (c) on both sides of the chassis pass around the vertical tube of the backrest and are taut when the backrest is upright.
- Check the locking of all the loops.



- 5** Adjusting the tilt of the backrest: to adjust the tilt, adjust the tightness of the 2 screws (f) at the base of the headrest. N.B.: the 2 screws must protrude by the same length.

The serial number of the fixed or adjustable backrest is engraved on the lower part of one of the vertical tubes.



QR Code :

Tutorials for the assembly of this option are available in video on Youtube.

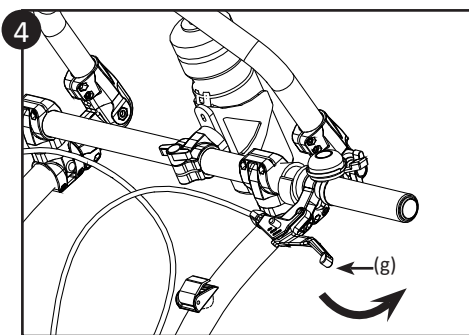
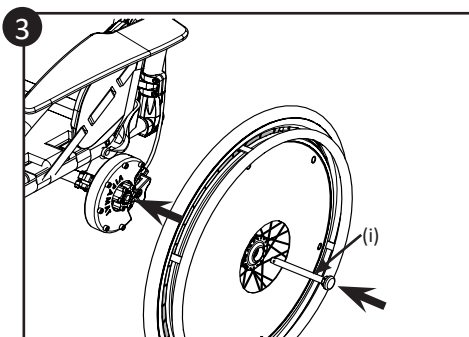
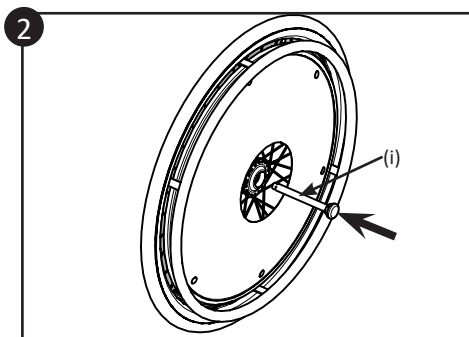
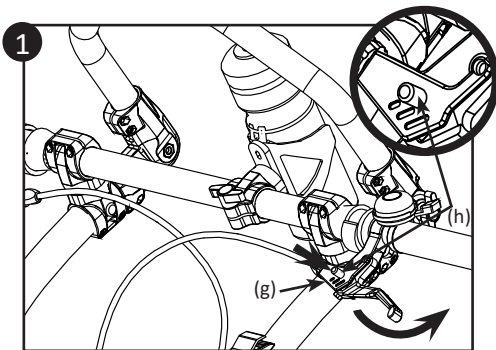
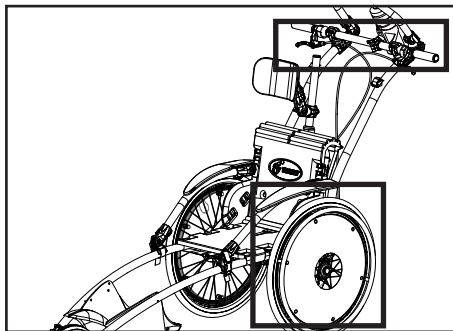
Tutorial name :

TUTO #2 : Fixed backrest - Dossier Fixe

TUTO #3 : Adjustable backrest - Dossier Réglable



SCAN ME



3.2 Assembly of the pair of marathon wheels and the optional add-ons pair of trail wheels (0042-00-01) (0047-00-01)

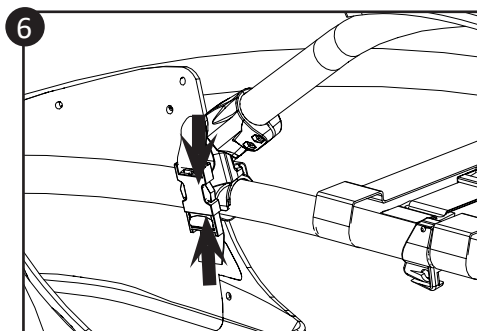
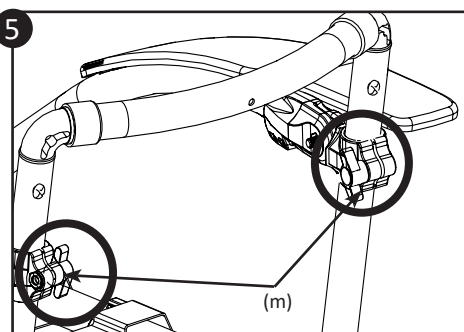
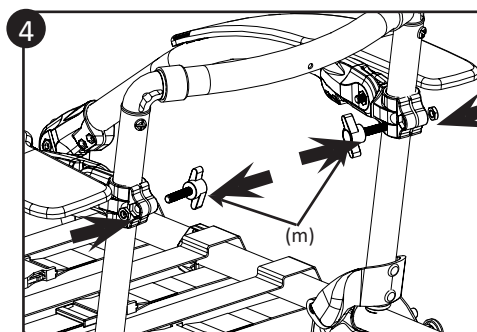
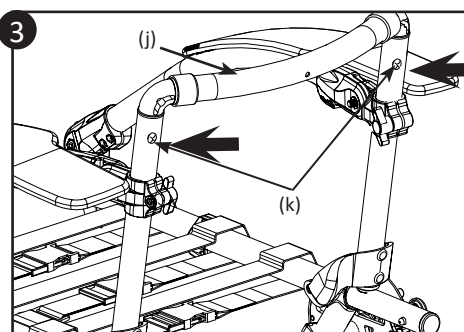
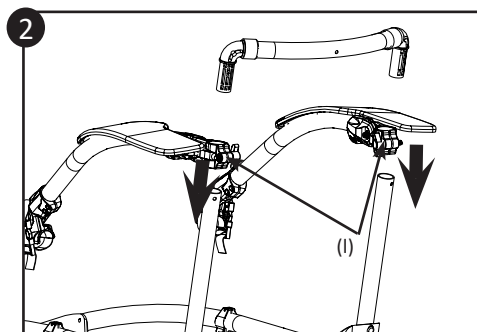
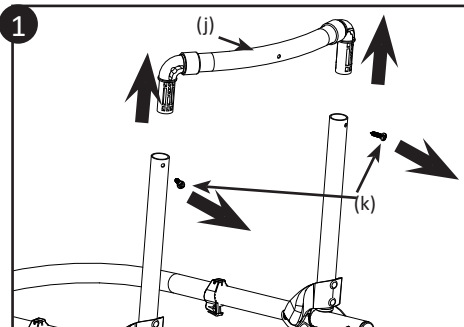
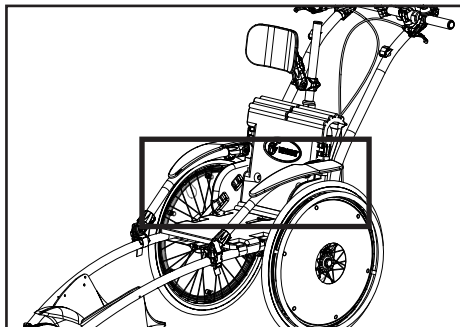
- ① Secure the brakes by pressing on the handle (g) then by pressing on the spring lock (h) situated on the handlebars for each brake.
- ② Press the centre of the axle then insert the half axle (i) into the wheel.
- ③ Insert the wheel with the half axle (i) into the chassis axle by pressing on the centre of the half axle (i) and by turning the wheel slightly so that it inserts into the hub.
- ④ Unblock the disk brakes by pressing on the handles (g) then by releasing them.

Checks :

- Check that the wheels are secured by activating the two knobs (h) of the spring lock on the handlebars and by pressing on the wheelchair. The wheelchair should remain completely immobile.



Regularly check the tyre pressure. The pressure indications can be found on the wheels.



3.3 Assembly of the pair of armrests (adjustables, retractables and orientables) (0007-00-02-N0)

❶ Remove the upper part of the backrest (j):

- Unscrew the 2 screws (k) with a cruciform screwdriver.
- Remove the upper part (j) from the rest of the backrest.

❷ Introduce the upper linking parts of the armrest (l) into the vertical tubes of the backrest.



N.B.: if you have to assemble a headrest, do not replace the upper part of the backrest and move directly onto step ❹.

❸ Replace the upper part of the backrest (j) and tighten the 2 screws (k) in the upper part of the backrest.

❹ Assemble the armrests using the wing screws (m) on the upper linking part of the armrest.

❺ Adjust the height of the armrests using the upper linking part of the armrest and tighten the 2 wing screws (m).

❻ Pass the small strap around the tube and fasten the buckle.

Checks:

- Check that the armrests are positioned above the wheels and that there is no rubbing.
- Check that the wing screws (m) are situated inside the backrest.
- Check that the upper part of the backrest is completely slotted into the vertical tubes of the backrest.
- Check that the locking screws of the backrest are tightened and that the backrest is stable.



To replace all the straps, move to step 4 on page 7.

The serial number is engraved on the lower part of the two armrest tubes.



QR Code :

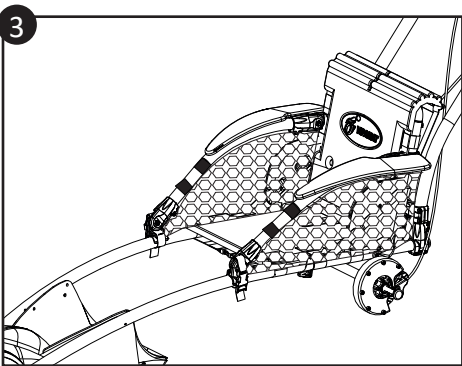
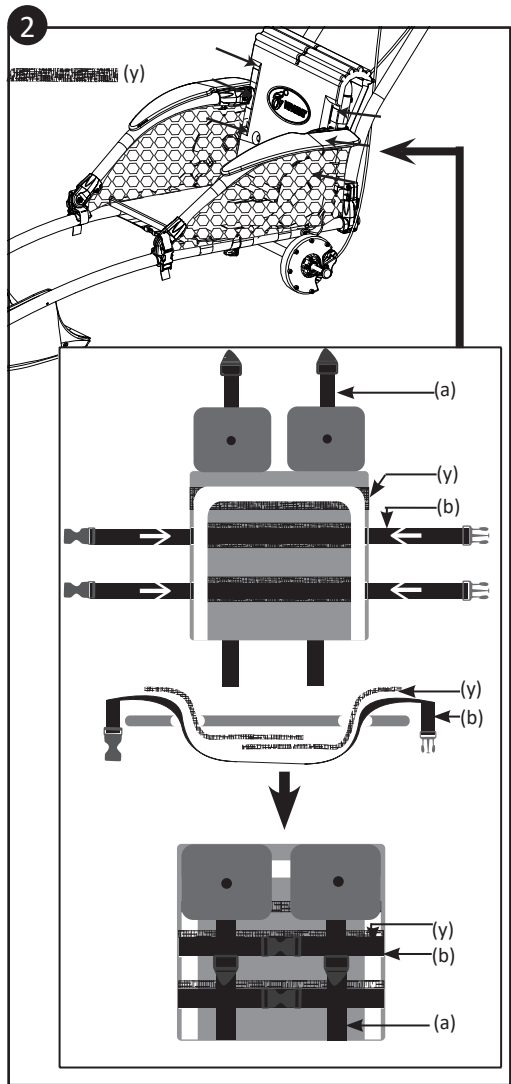
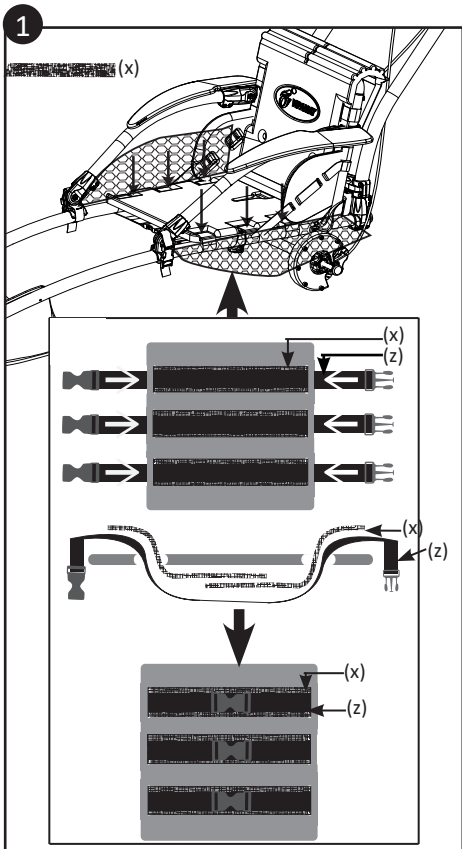
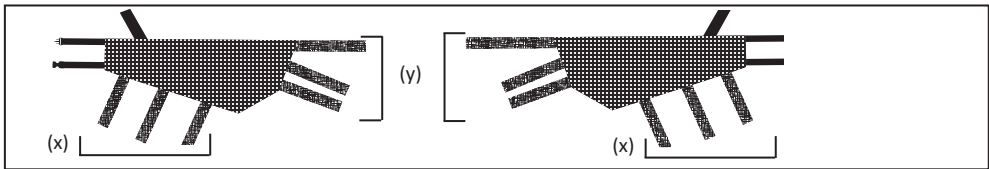
The tutorial for the assembly of this option is available in video on Youtube.

Tutorial name :

TUTO #4 : Armrests - Accoudoirs



SCAN ME



3.4 Assembly of the armrest nets (0032-00-01)

- ❶ Pass all the velcro straps (x) to both sides of the seat in the spaces provided for these seat fastening straps. Unbuckle the 3 straps (z) under the seat and attach the 3 straps (x) of the armrest nets with the velcro straps. Buckle the 3 straps (z) under the seat.
- ❷ Pass all the velcro straps (y) to both sides of the backrest in the spaces provided for these backrest fastening straps. Unbuckle the straps (a) and (b) behind the backrest and attach the straps (y) of the armrest nets with the velcro straps. Buckle the straps (a) and (b) of the backrest.
- ❸ Fixer les sangles des filets autour des tubes des accoudoirs.

Checks:

- Check that all the buckles of the seat are secured.
- Check that the nets are taut.

The serial number of the armrest nets can be found on the label of the product packaging.



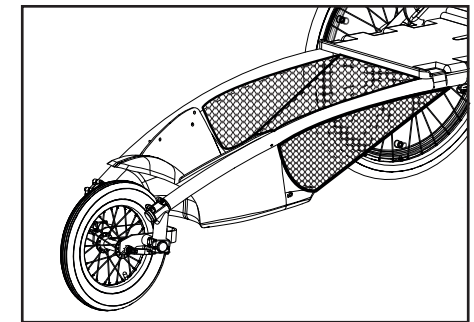
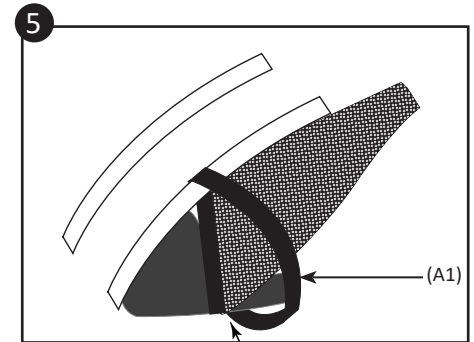
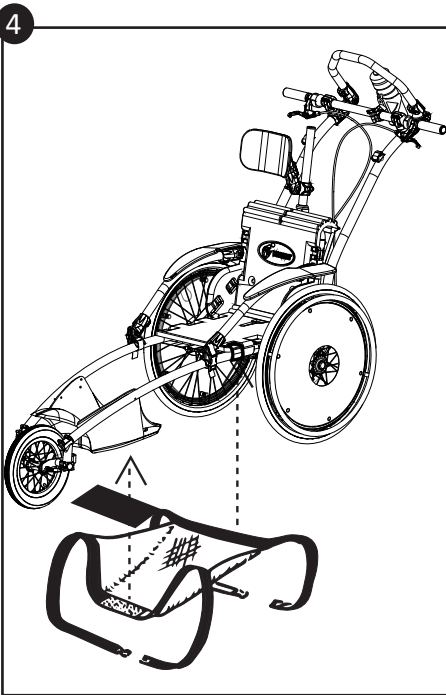
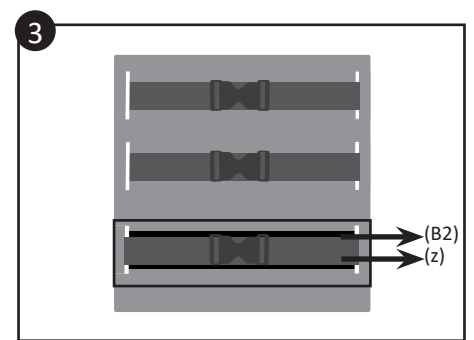
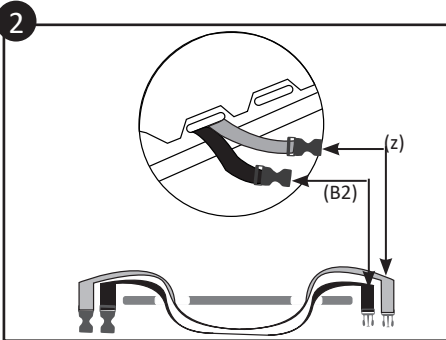
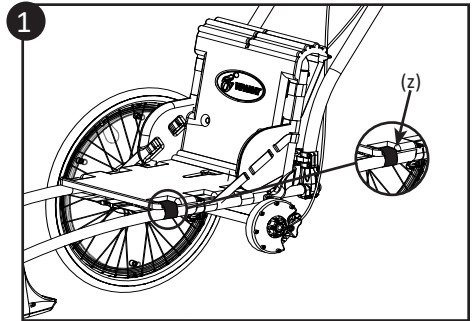
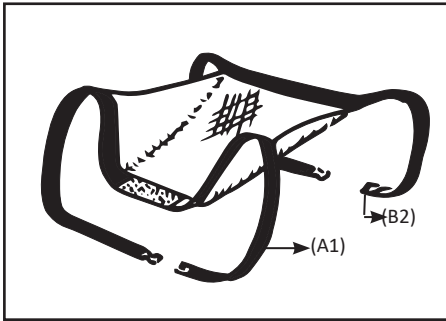
QR Code :

The tutorial for the assembly of this option is available in video on Youtube.

Tutorial name :

TUTO #8 : Safety net part 1 - Filet d'accoudoirs, partie 2





3.5 Assembly of the footrest net (0033-TM-01, 0033-TL-01, 0033-TX-01)

- ❶ Unbuckle the strap (z) located under the seat of the Hippocampe wheelchair and position the net under the seat.
- ❷ Insert the strap (B2) of the housing net under the strap (z) into the loops of the seat.
- ❸ Buckle the straps (B2) and (z).
- ❹ Extend the net and stick the adhesive strip of the velcro strap under the housing.
- ❺ Pass the strap (A1) of the housing net around the tubes from the inside to the outside and buckle the strap.

Checks:

- Check that all the buckles are secured.
- Check that the net is taut.

The serial number of the housing net can be found on the label on the product packaging.



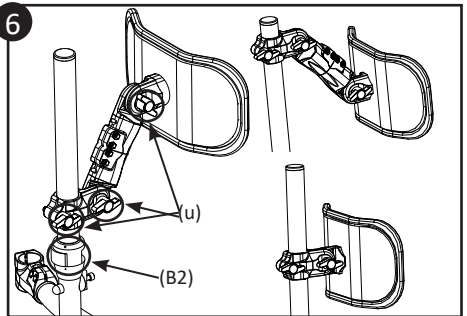
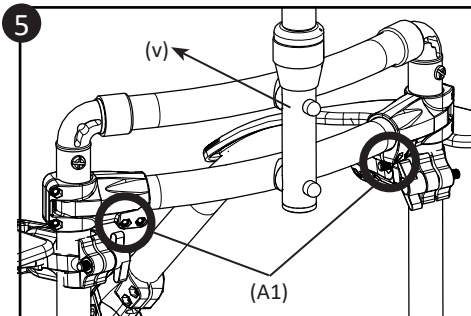
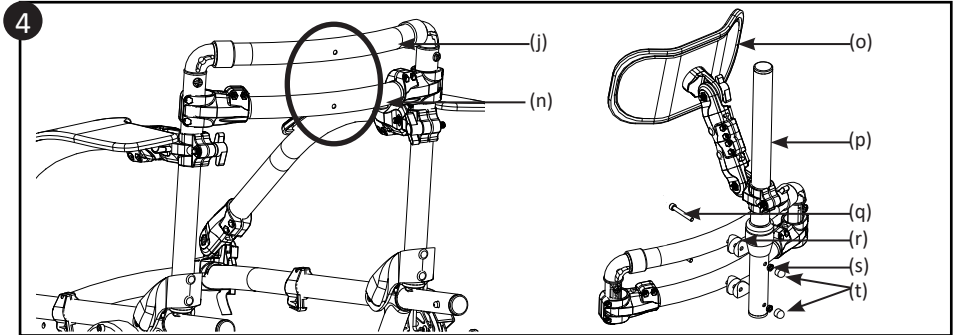
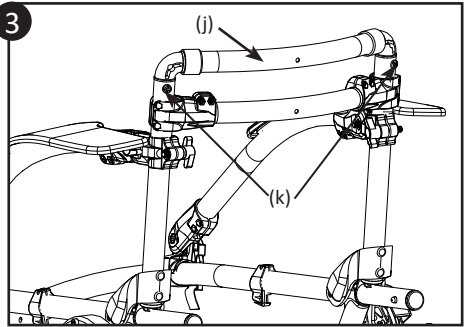
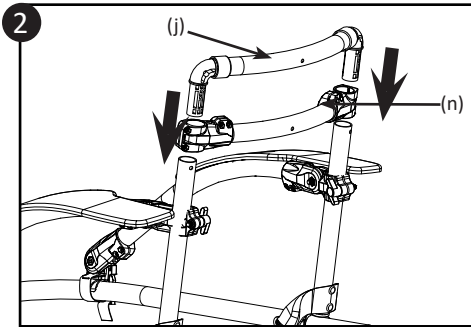
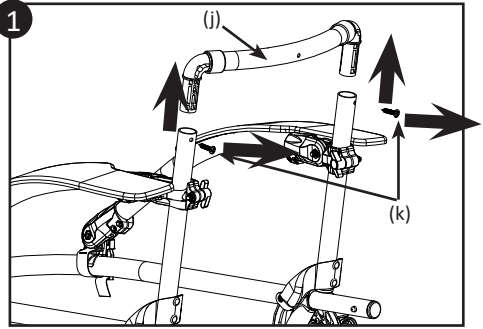
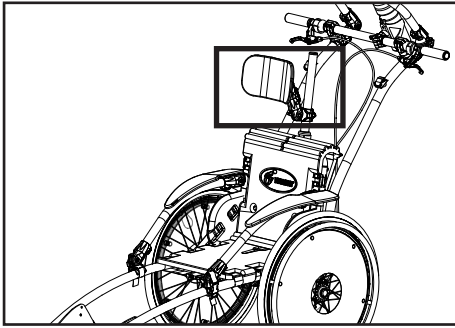
QR Code :

The tutorial for the assembly of this option is available in video on Youtube.

Tutorial name :

TUTO #7 : Safety net part 1 - Filet de protection, partie 1





3.6 Assembly of the optional adjustable headrest (0008-00-05)

- ❶ Remove the upper part of the backrest (j):
Unscrew the 2 screws (k) with a cruciform screwdriver.
Remove the upper part (j) from the rest of the backrest
- ❷ Introduce the horizontal curved bar (n) into the vertical tubes of the backrest, the curved parts (j) and (n) must be parallel.
- ❸ Replace the upper part of the backrest (j) and tighten the 2 screws (k) in the upper part of the backrest.
- ❹ Assemble the vertical tube (p) into the two horizontal curved parts (n) and (j). Introduce the screws (q) into the curved parts (n) and (j) then into the washers (r) and lastly into the vertical tube (p) of the headrest. Position the tube (p) vertically then tighten the screws (q) using the bolts (s) with the Allen key and the open-end wrench provided. Position the nut covers (t).
- ❺ Tighten the screws (A1) to lock the tube in a vertical position (p).



Ensure that the vertical tube is well positioned so that the push-lock opening is towards the back.

Checks:

- Check that all the screws are well tightened.
- Check that the headrest is not loose.
- Check that the headrest is stable and that the push-lock is secured.

- ❻ Adjust the headrest by loosening the 3 knobs (u), then place it in the desired position and immediately tighten the 3 knobs (u).

In order to store or transport your wheelchair more easily, you can remove the upper part of the vertical tube (p) and the headrest (o) by unlocking the push lock (B2).

Remarque : For users who don't need rear adjustment, it's possible to remove the extensions to fix the headrest (o) directly on the tube (p).



To replace all the straps, move to step 4 on page 7.

The serial number of the headrest is engraved on the headrest tube.



QR Code :

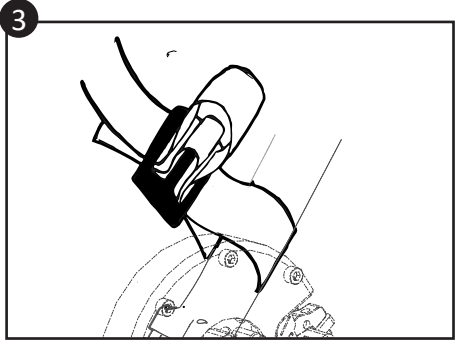
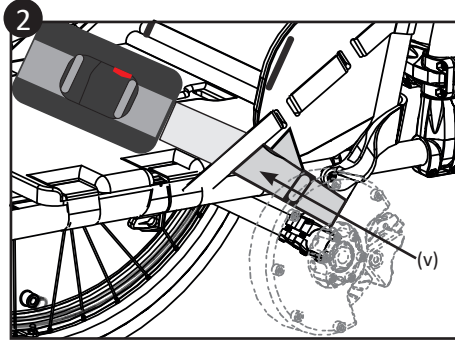
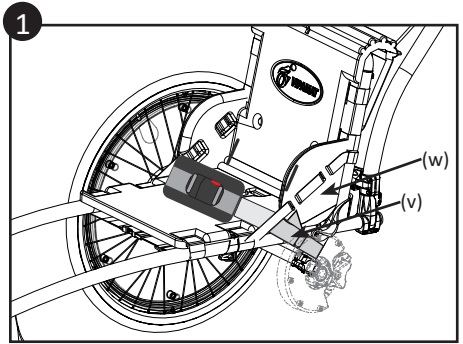
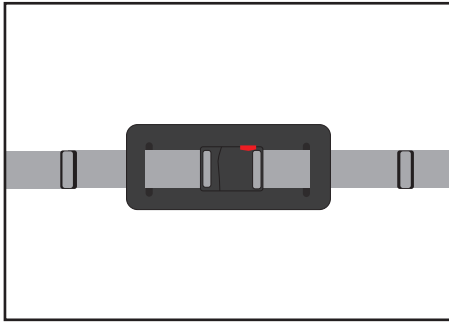
The tutorial for the assembly of this option is available in video on Youtube.

Tutorial name :

TUTO #5 : Adjustable headrest - Appui-tête réglable



SCAN ME



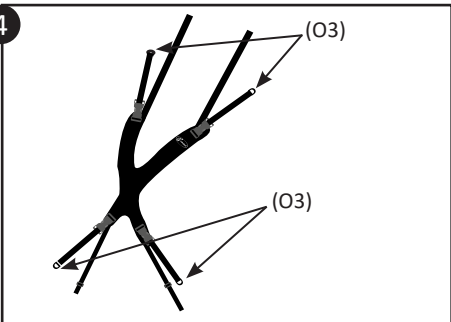
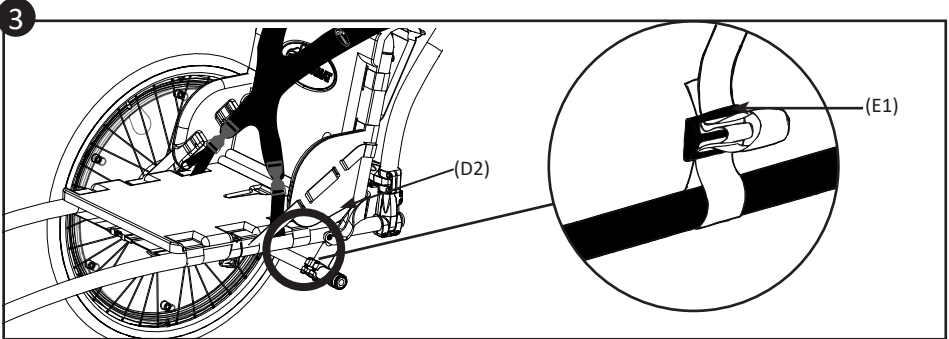
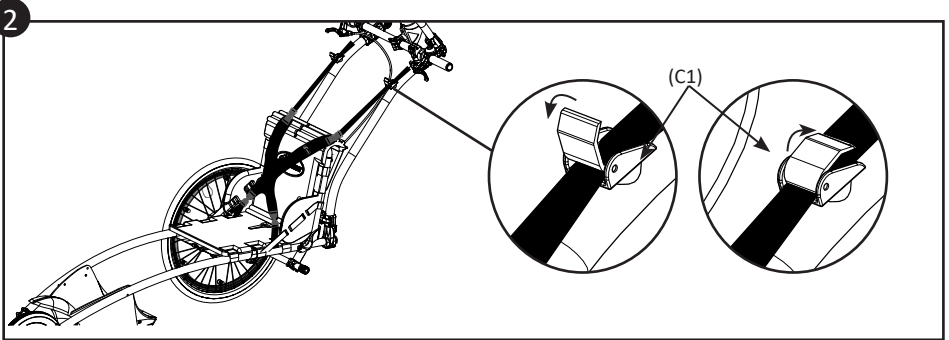
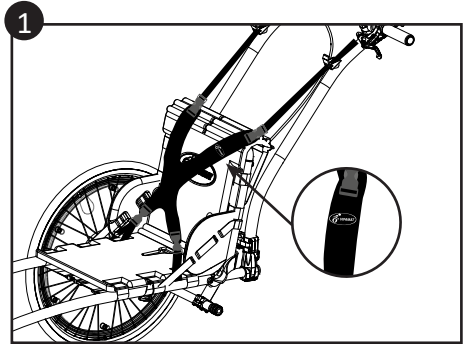
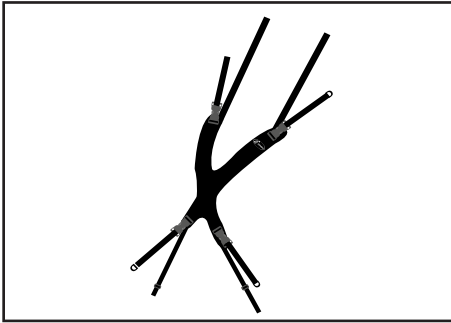
3.7 Assembly of optional waist belt (0024-00-01)

- ❶ Place the belt on the seat and pass the strap (v) inside part (w).
- ❷ Pass the strap (v) so that it goes around the chassis tube from the outside to the inside.
- ❸ Pass the strap again in through the belt loop and make it protrude by at least 2 cm, then tighten.

Checks:

- Check that the belt is solidly attached to the Hippocampe chassis.

The serial number of the belt can be found on the label of the product packaging.

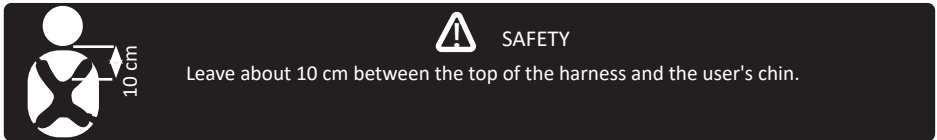


3.8 Assembly of the optional dual harness (0013-00-02)

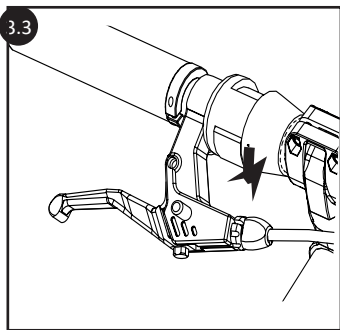
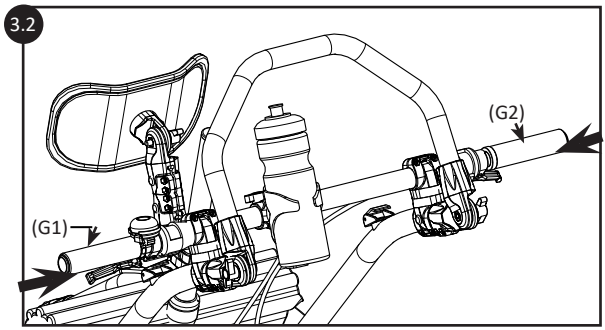
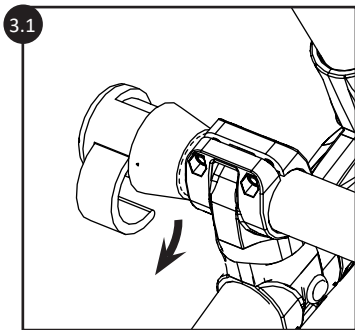
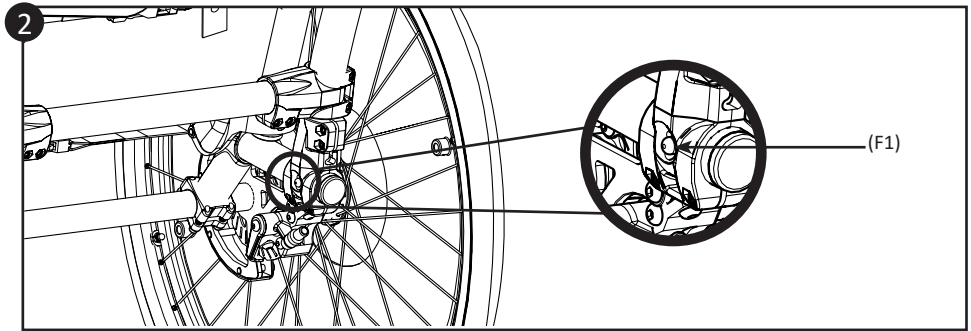
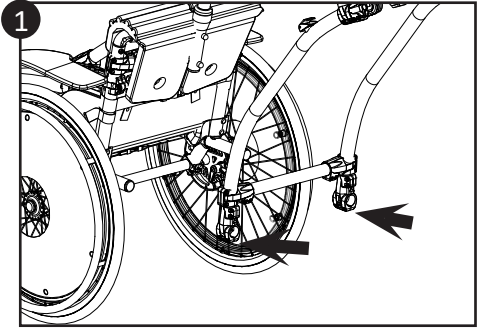
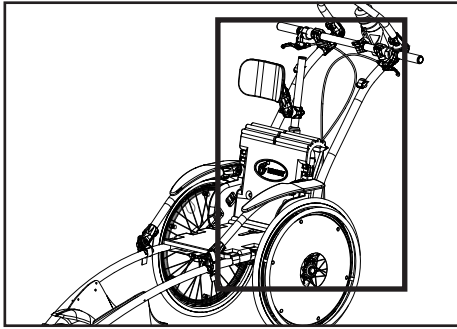
- 1 Assemble the harness by ensuring that the logo is correctly positioned (top on the right) (see diagram).
- 2 Open the lift buckles (C1) of the push bar. Pass the upper straps of the harness from the bottom upwards through the lift buckles (C1) of the push bar and fasten by pressing them upwards..
- 3 Pass the lower straps inside part (D2) of the seat, then pass them around the chassis tube.
Pass the strap once again into the loop (O2) by ensuring it protrudes by at least 2 cm, then tighten.
- 4 Use the loops (O3) to adjust height and tension of the harness.

Checks:

- Check that the harness is positioned correctly
- Check that the straps are securely fastened by pulling on each side on each of the buckles. (O3)



The serial number of the harness can be found on the label of the product packaging.



3.9 Assembly of the push bar (0041-00-01-NO)

- ❶ Insert the 2 stems of the push bar into the chassis tubes as far as the clips.
- ❷ Press the 2 clips (F1) simultaneously so as to insert the push bar. The two clips (F1) should protrude from the part.

Checks :

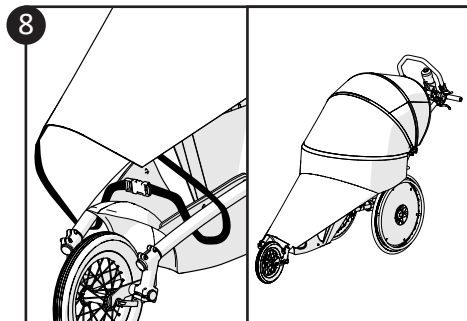
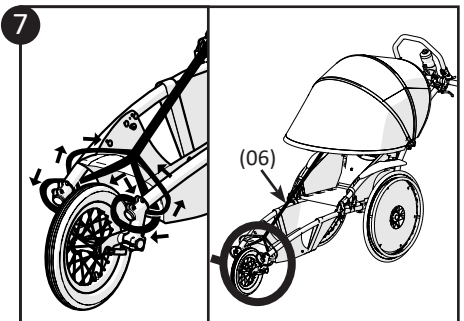
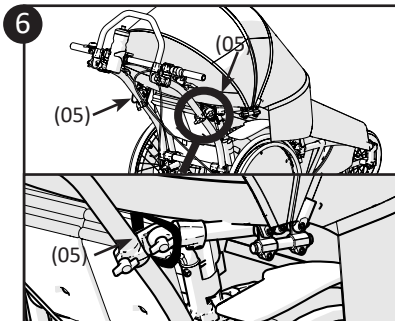
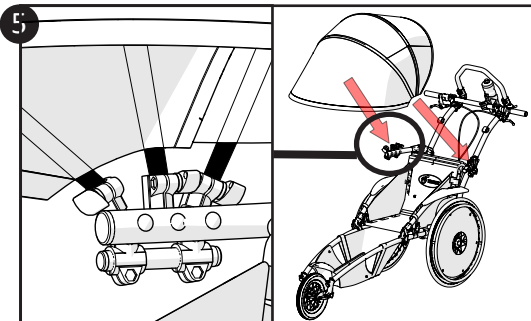
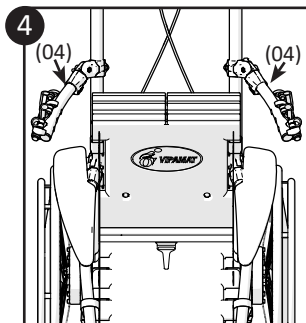
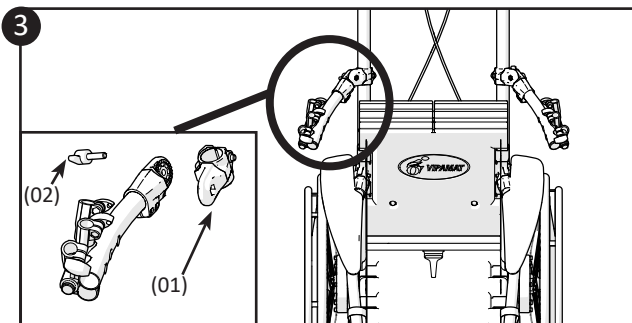
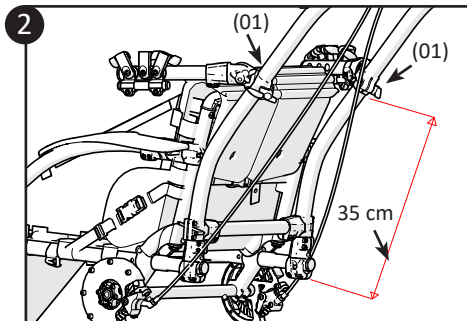
- Check that the push bar is locked by pressing on the clip and by checking that it protrudes from the bar.

❸ Assembly of the brake handles on the push bar:

- 3.1 Unlock the push lock.
- 3.2 Insert the left handle (G1) onto which the bell is attached then secure the push lock and insert the right handle (G2) and secure the push locks..
- 3.3 Ensure that all the push locks are secured.

Checks:

- The handles must be solidly attached to the push bar. Pull the handle outwards to ensure it is secured.



3.10 Assembly of the canopy option (0160-TM-02) (0160-TL-02) (0160-TX-02)

- 1 To assemble the canopy option, prepare all the parts as shown on the picture.
- 2 Open the two elastic parts (01) and place them on the push bar at a height of 35 cm from the lower end of the push bar (right and left)..
- 3 Tighten the wing screws (02).
- 4 The two canopy supports (04) must face upwards and away from the chair.
- 5 Install the 3 end caps on each side in each canopy support (04).
- 6 Lock the two straps (05) to the rear of the canopy supports (04).



Zip the two parts of the canopy together to make a single unit. The Vipamat label on the canopy should be towards the front of the chair.

- 7 You can install the top of the canopy alone by attaching the front strap (06) as shown in the diagram :
At the top under the label, pass the strap through the magnetic button.

At the bottom, pass the strap:

- Inside the frame tubes ;
- Go around the stem (grey parts);
- Come back from the back;
- Pass in front of the first turn of the strap
- Return to the clamping point from the outside of the frame tubes
(do not install this strap if the legs protection is installed)

- 8 To install the legs protection, strap the bottom of the protection around the frame tubes from the outside to the inside.



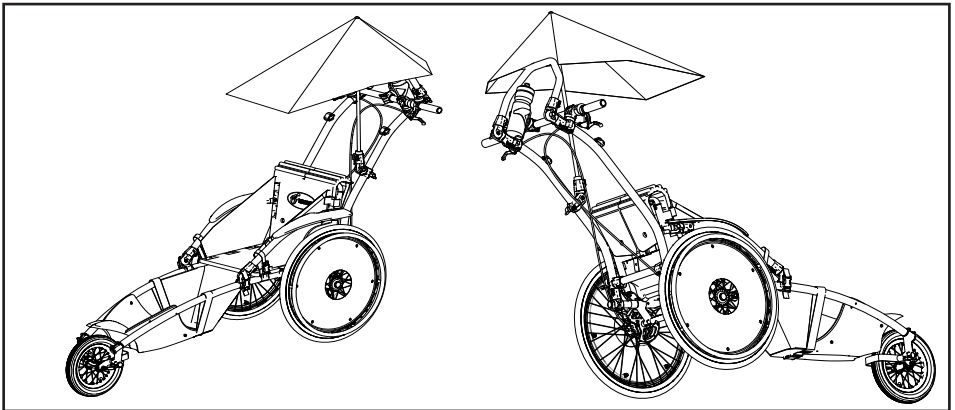
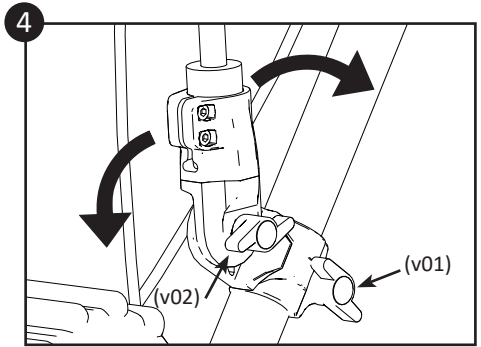
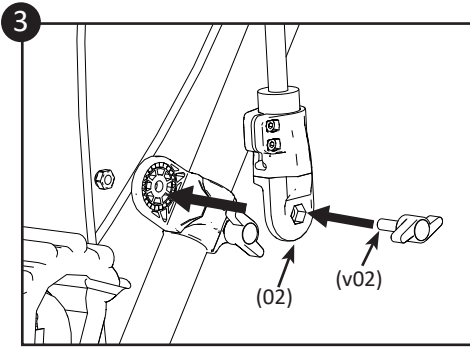
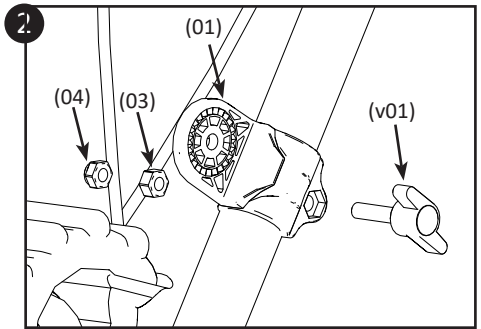
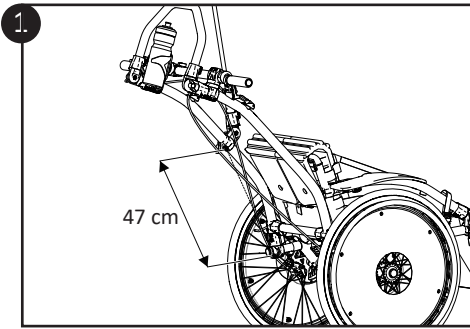
QR Code :

The tutorial for the assembly of this option is available in video on Youtube.

Tutorial name :

TUTO #9 : Rain canopy with legs protection - Capote de pluie avec protection jambes





3.11 Assembly the umbrella option (0162-00-02)

- 1 Open elastic piece (01) to place it on the push bar (on the right or on the left).
Place part (01) at least A (47 cm ,18.50 in) from the bottom of the push bar.



For a better orientation of the asymmetrical umbrella, the part (01) is always placed with the flat connecting side facing left of the frame (when you are on the chair).

- 2 Tighten the wing screw (v01) of the part (01) to securely fix it to the push bar. Pass it through the nut (03) and through the braked nut (04).
- 3 Tighten the wing screw (v02) of the umbrella's toothed end cap (02) on the flat side of the part (01).
- 4 To orientate the umbrella to your liking, unscrew and re-screw the umbrella wing screw (v02) and the wing screw of the part (v01).



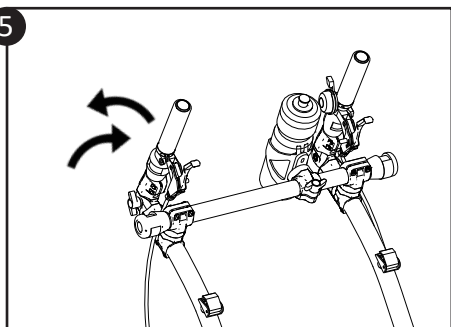
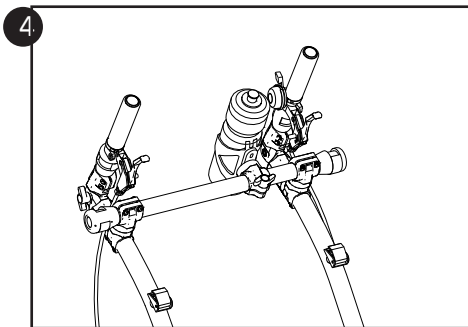
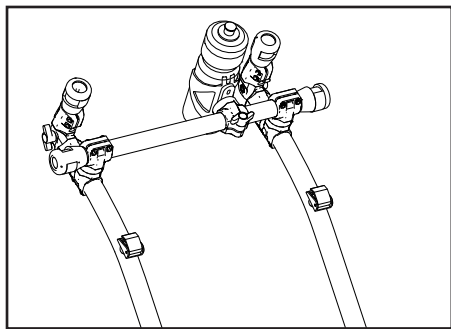
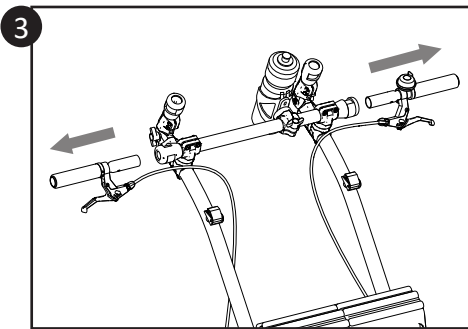
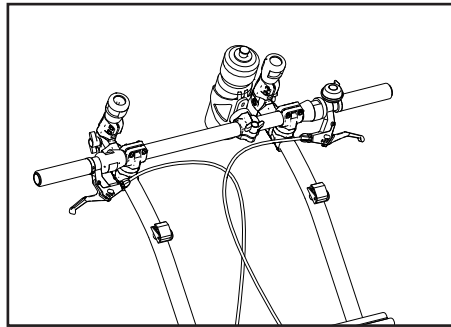
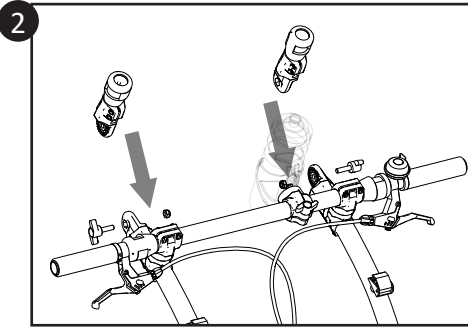
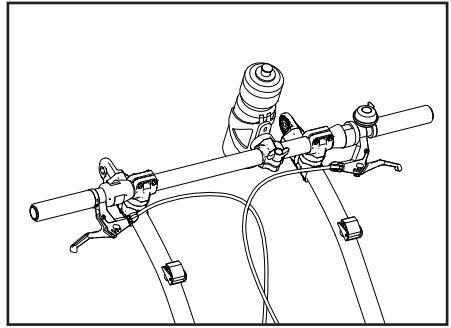
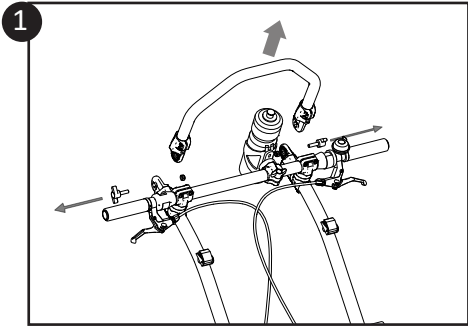
QR Code :

The tutorial for the assembly of this option is available in video on Youtube.

Tutorial name :

TUTO #10 : Umbrella - Ombrelle





3.12 Assembly the optionnal push horns (0048-00-01)

- ❶ Remove the top bar (hoop) of the push bar.
- ❷ Screw the two intermediate pieces (03) in place of the hoop. (the two 5mm screws towards the front)
- ❸ Open the push locks (04) on the handlebars to release the two red brake handles. The handles must only be connected to the wheelchair by the brake cable. Close the push locks (04).
- ❹ Insert the red brake handles on both sides into the intermediate pieces.
- ❺ Adjust the handles to the desired angle using the thumb screw.

Checks:

- Check the effectiveness of the brakes.
- Check that the push locks are closed.
- Check that the intermediate pieces (03) are firmly attached.

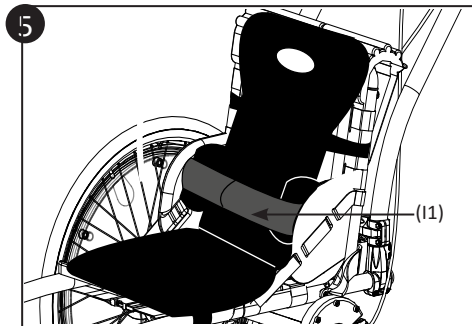
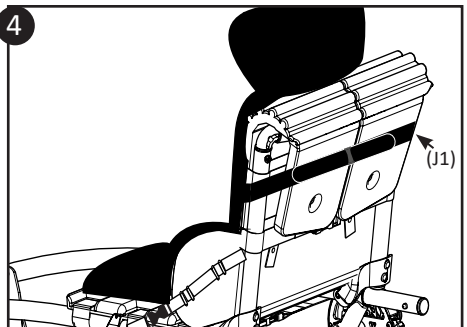
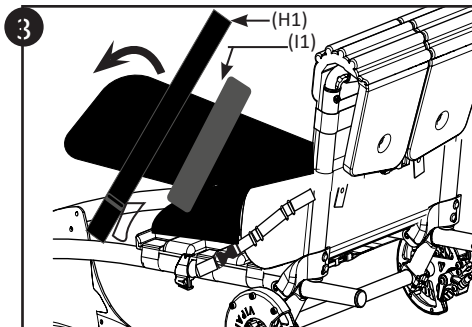
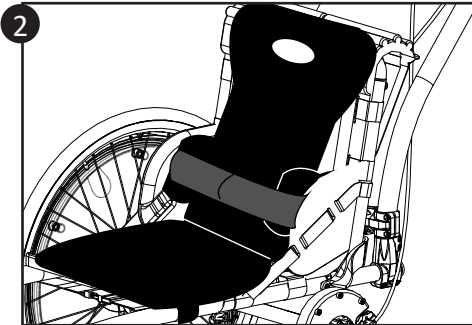
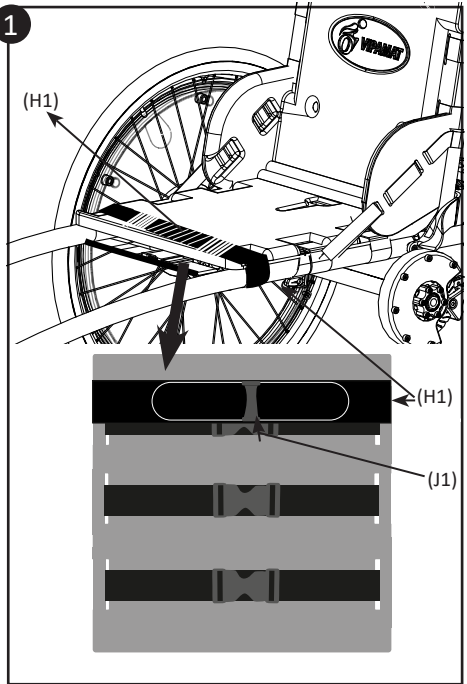
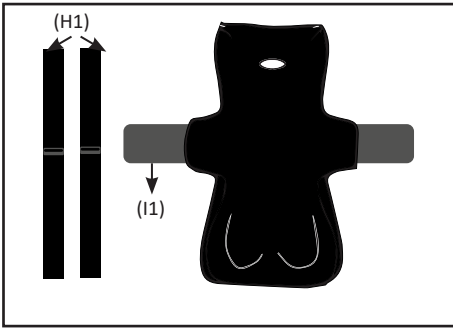
The serial number can be found on the packaging of the intermediate parts.



QR Code :

The tutorial for the assembly of this option is available in video on Youtube.





3.13 Attachment of the optional Comfortable Plus Duo velcro cushion (0050-TS-01, 0050-TM-01,0050-TL-01)

- 1 Position the velcro strap (H1) on the seat of the Hippocampe wheelchair with the grip part (indicated by hatching in the drawing) facing upwards. Secure the velcro strap (H1) by passing the strap into the loop (J1) then by attaching it to the 'velvet' part of the velcro strap.

Checks:












- Check that the velcro strap is taut and firmly fastened.

- 2 Position the Stabilo Comfortable Plus Duo on the velcro strap placed on the seat of the wheelchair. The Stabilo will attach itself to the grip part of the velcro strap.
- 3 Tilt the backrest of the Stabilo Comfortable Plus Duo forward and position the second velcro strap (H1) on the upper part of the Stabilo backrest.
- 4 Pass the strap around the backrest of the wheelchair and then secure the velcro strap (H1) by passing the strap into the loop (J1) then by attaching it to the velcro part of the strap.
- 5 Adjust the waist belt (I1).

Checks:

- Check that the Stabilo Comfortable Plus Duo is securely fastened to the Hippocampe wheelchair.













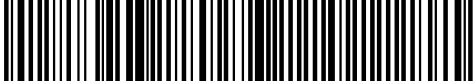
The Comfortable Plus Duo velcro seat is an optional add-on distributed by Vipamat that adapts to the Hippocampe wheelchair. For safe use of the product, refer to its specific Instruction Manual.

Symbole	Signification	Symbole	Signification
	Medical Device		Model number
	Read instructions before use		Serial number
	CE mark		Maximum user weight
	Points of attention (to be found in the leaflet)		Date of manufacture
	Do not dispose of in domestic waste		Latex free
	Manufacturer		

Identification label :

The identification label is attached to the frame of your wheelchair.

A sample label is shown below.

	VIPAMAT (www.vipamat.com)	Made in France	
	3 rue Gustave Eiffel		
	56270 PLOEMEUR France		
	+33-297 862 487(Outside USA)	832848533(USA)	
CHASSIS HIPPOCAMPE MARATHON			
WHEELCHAIR MARATHON HIPPOCAMPE BLACK			
	0040-XX-03-XX	Size XX	Qt 1
	000000		900000
		02/07/2002	
			220 Lbs
			100 Kg
 (01)03664560000626(10)900000(21)000000			

UDI number (Unique Device Identifier)

Find our tutorial channel on **Youtube**
and follow our news on **Facebook** and **Instagram**.



Notes

A series of 15 dashed horizontal lines spaced evenly down the page, intended for taking notes.

Notes



HIPPOCAMPE[®]

MARATHON[®] and Trail



EN Hippocampe Marathon and Trail



VIPAMAT
3, rue Gustave Eiffel - 56270 PLOEMEUR (France)
Tél : +33 2 97 86 24 87 - Fax : +33 2 97 86 73 81
www.vipamat.com - contact@vipamat.com