

HIPPOCAMPE[®]

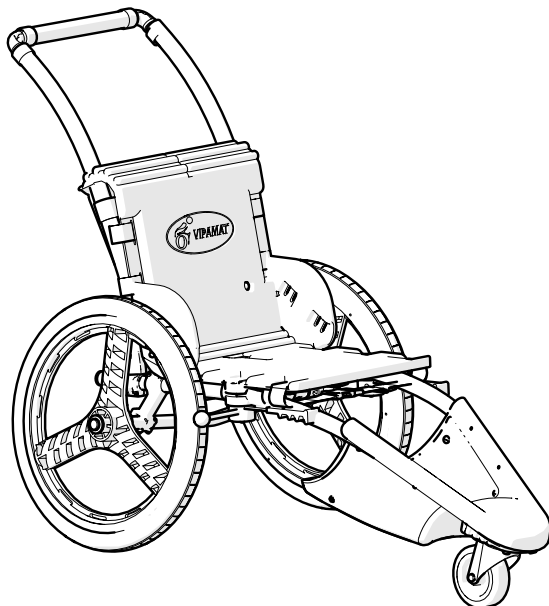


Hippocampe Swimming pool

Operating and assembly instructions

One Size

0002-TS-02-BU



VIPAMAT

3 rue Gustave Eiffel - 56270 PLOEMEUR (France)

Tel : +33 (0)2 97 86 24 87 - Fax : +33 (0)2 97 86 73 81

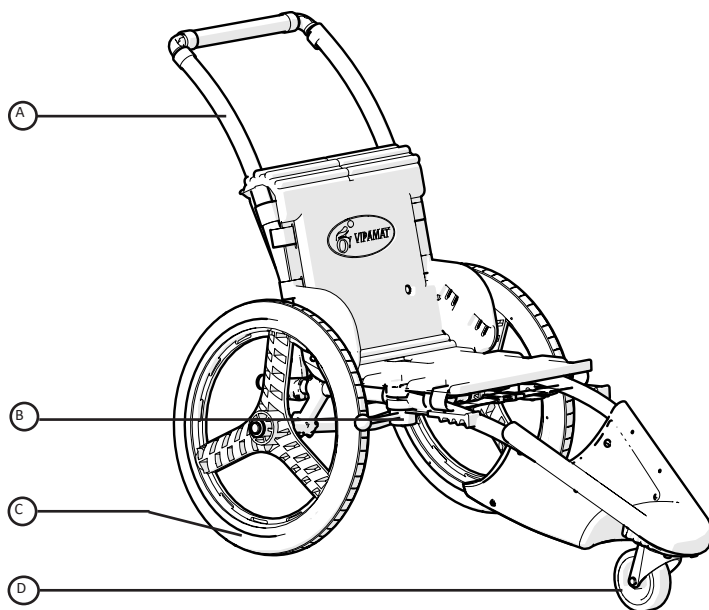
www.vipamat.com - contact@vipamat.com

Congratulations ! You've just purchased the Hippocampe Swimming pool from Vipamat. The Hippocampe will accompany you in private or public pools. It will give you access to all aquatic areas: changing rooms, foot baths, pools and pool edges.

Table of contents

1 Discover your Hippocampe Swimming pool	p2
2 Legal and safety information	p4
2.1 Safety and usage precautions.....	p4
2.2 Declaration of conformity and warranty conditions.....	p5
2.3 Maintenance and servicing.....	p5
3 Assembling the Hippocampe Swimming pool	p7
3.1 Installing the pair of grey wheels.....	p7
3.2 Push bar installation.....	p9
3.3 Seat assembly.....	p11
3.3 Fitting the waist belt option.....	p13
4 Instructions for use	p15
4.1 Using the parking brake.....	p15

1 Discover your Hippocampe Swimming pool



The Hippocampe Swimming pool is available in One Size Only, with an optional belt.

- | | |
|------------------------------|-----------------------------|
| A Push bar | B Parking brakes |
| C Pair of grey wheels | D Front swivel wheel |

IMPORTANT

Keep these instructions in a safe place.

Strict compliance with the recommendations and advice contained in this document is imperative.

Hippocampe Swimming pool's available options:



Waist belt

2 Legal and safety information

2.1 Safety and usage precautions

1. Strict compliance with the recommendations and advice contained in this document is imperative.



The Hippocampe Swimming pool is a Swimming pool wheelchair for use in the Swimming pool only. It is not intended for outdoor use.

2. This wheelchair has been designed for easy access to the Swimming pool.

3. Before each use of the wheelchair, make sure that the wheels and push bar are properly engaged by pressing down on each clip and checking that they have come out of the connecting pieces.

4. Check that all seat buckles are locked. Straps must be properly tensioned and buckles closed.

5. The Hippocampe Swimming pool can be used alone or accompanied.

6. Whenever the Hippocampe is used, the presence of an attendant with the ability to steer, push and hold the wheelchair is strongly recommended.

7. For safety reasons, the user should sit at the back of the seat, with his or her back resting on the backrest.

8. Like a city chair, using the Hippocampe requires time to adapt. A few trial manipulations may be necessary to get the Hippocampe to work properly.

9. The Hippocampe should always be used under adult supervision if the user is a child.

10. The Hippocampe has been designed for a single person with a maximum weight of 130 kg.

11. It is forbidden for more than one person to ride in the Hippocampe, or to stand on the Hippocampe.

12. Proceed with caution on sloping ground. Accompaniment is recommended in such cases.

13. Do not use the Hippocampe to negotiate obstacles greater than 20 cm with the Hippocampe.

14. Do not pass under obstacles with the Hippocampe.

15. For safety reasons, do not use the Hippocampe if the angle of the slope is greater than 7°.

16. Use the brakes when transferring to lock the wheels.

17. Do not modify the Hippocampe wheelchair and never use components other than those supplied by Vipamat. Do not use the Hippocampe if any component is defective.

18. The seat and backrest of the Hippocampe comply with M1 standards. However, the product must be kept away from flames.

19. To avoid the risk of overheating and injury, do not use your hands to brake when the wheelchair is on a slope.

20. Do not use the Hippocampe if a wheel is punctured or deflated.

21. If you have any doubts about the safe use of the Hippocampe, stop using it immediately and contact Vipamat customer service on +33 2 97 86 24 87 or by e-mail at contact@vipamat.com.

Precautions for swimming :

22. The Hippocampe wheelchair allows you to enter the water up to seat height and swim. It is not designed to float with the user on it. The Hippocampe cannot be considered as watercraft.

23. Always be accompanied by an adult when entering and transferring to the water, and throughout the bathing period.

24. The Hippocampe must always be used in a supervised swimming area.

25. If you use a belt when entering the water and swimming, you will need to be accompanied and supervised.

2.2 Declaration of conformity and warranty conditions

As the manufacturer, Vipamat declares that the Hippocampe Swimming pool class 1 (European classification) and class 2 (USA classification) device and its medical device accessories comply with Regulation (EU) 2017/745 of the European Parliament and of the Council and satisfy the applicable provisions of European Directive 93/42/EEC and Book II of the French Public Health Code.

This product is guaranteed for 2 years "parts and labor" from the date of purchase (invoice as proof). The warranty covers replacement of defective parts. This warranty does not apply in the event of improper use, and does not take into account wear and tear of parts due to use of the wheelchair. Given the conditions under which the Hippocampe may be used, its expected lifetime is 4 years from the date of purchase.

The product serial number is engraved on the rear axle of the frame. The belt option serial number is printed on the label on the option packaging.

To dispose of your Hippocampe, take it to a recycling center and put it in the right category.

2.3 Maintenance and servicing

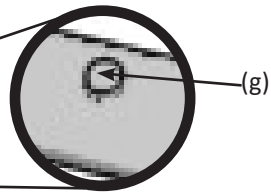
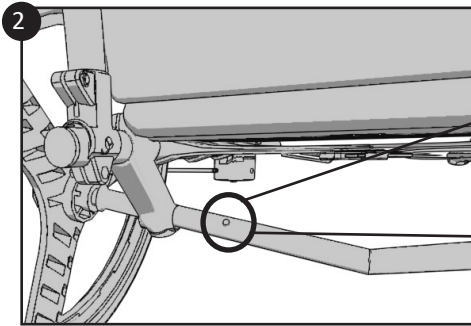
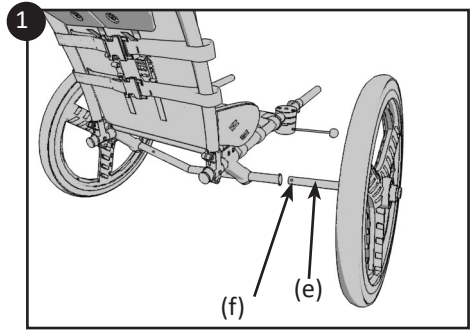
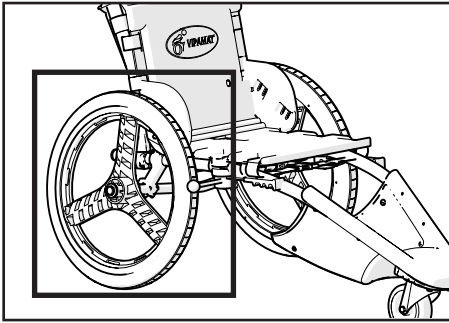
- The Hippocampe Swimming pool wheelchair is designed to withstand swimming pool water. It is made up of aluminum, plastic and stainless steel parts from the boating and cycling industries.

- The Hippocampe must be rinsed thoroughly with fresh water after each use.

-Vipamat accepts no responsibility for any damage caused by such negligence.



The Hippocampe must be rinsed systematically with fresh water after each use. Without this regular maintenance, Swimming pool treatments can damage the structure.



3 Assembling the Hippocampe Swimming pool

3.1 Installing the pair of grey wheels

① Install the 2 axle halves in the frame axle (e).

Squeeze clip (f) and insert the wheel half-axle with the wheel until the wheel is in contact with the frame axle.

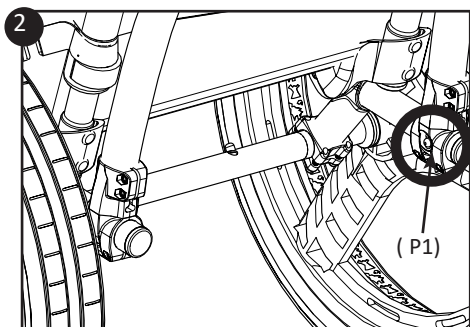
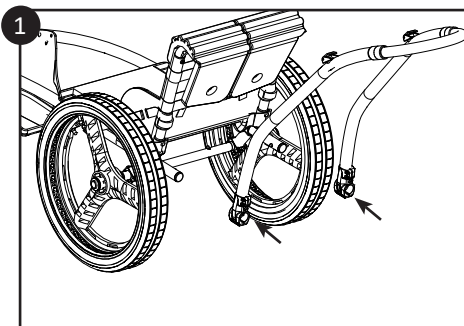
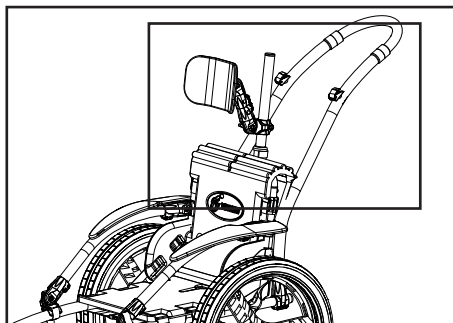
② Turn the wheel axle half so that the clip protrudes through the hole in the frame axle (g).

Checks:

- Check that the axle halves of the gray wheels are locked by pressing the clip (f) and checking that it protrudes from the chassis axle.



Inflate wheels to 1.5 bar.

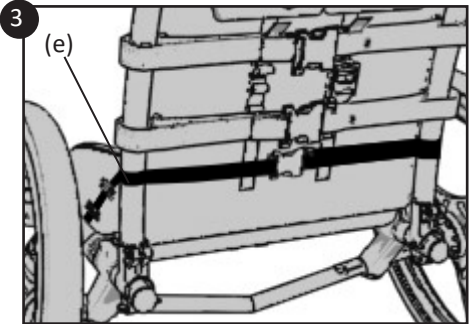
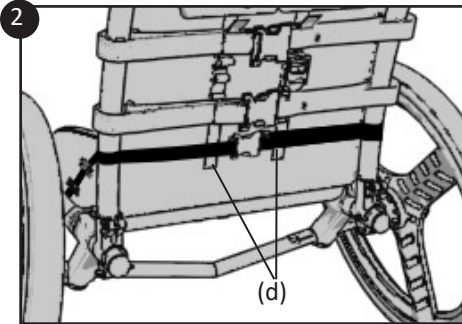
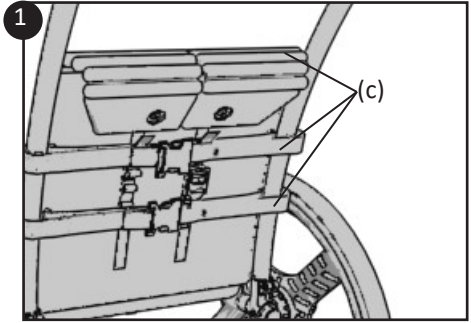
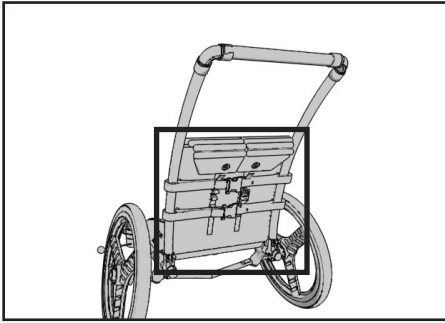


3.2 Push bar installation

- ❶ Insert the 2 push-bar connectors into the frame tubes as far as the clips.
- ❷ Squeeze the 2 clips together so that the 2 push-bar connectors can be inserted more deeply and the clips protrude through the hole on the inside of each connector. The 2 clips should come out of the pushbar connectors.

Checks:

- Check that the pushbar is locked by pressing the clip on either side and checking its exit from the pushbar connector (P1).

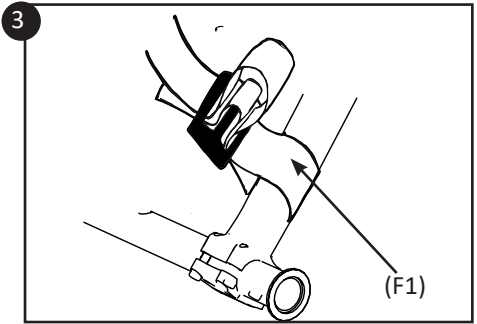
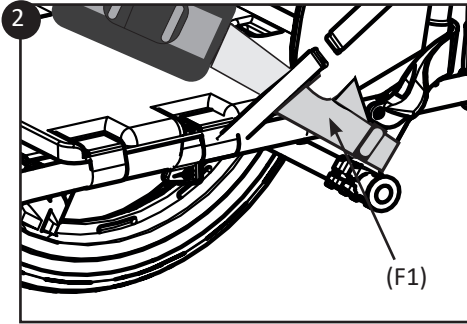
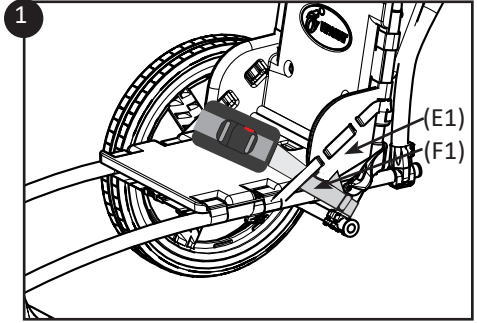
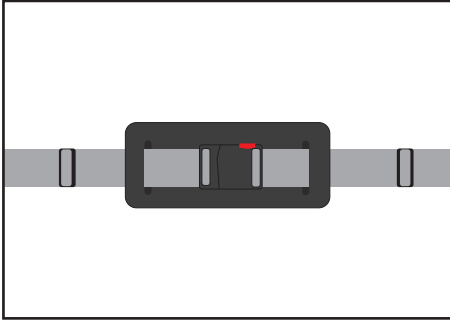


3.3 Seat assembly

- ❶ Buckle the 3 horizontal backrest straps (c), positioning the upper backrest strap at the desired height, then cover the upper backrest strap with the upper part of the backrest.
- ❷ Tension the 2 vertical straps (d) at the top of the backrest.
- ❸ Pass the side strap through the loops on one side of the seat foam, then under the seat, and through the loops on the other side of the seat to close the strap loop behind the 2 pushbar tubes.



Before each use, make sure the buckles are closed and the straps taut.



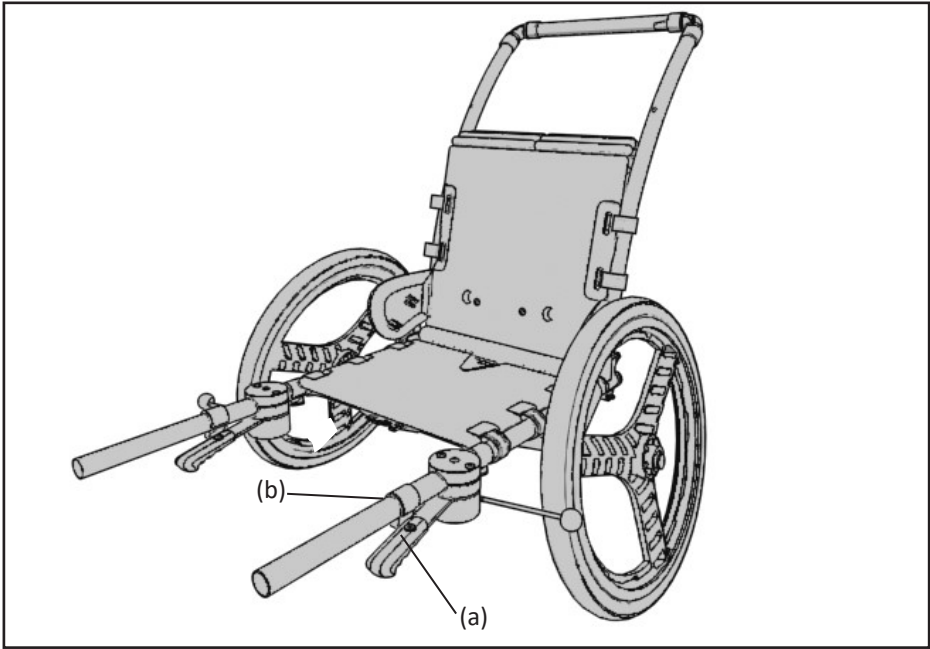
3.4 Fitting the waist belt option (0024-00-01)

- ❶ Place the belt on the seat and pass the strap (F1) through part (E1).
- ❷ Pass the strap (F1) around the frame tube from the outside to the inside.
- ❸ Pass the strap through the loop again, drawing it out at least 2 cm, then tighten.

Checks:

- Check that the belt is securely fastened to the Hippocampe frame












The waist belt's serial number can be found on the label on the product packaging.



4. Instructions for use

4.1 Parking brakes










① Use the brakes when transferring to lock the wheels. The stainless steel rod must block the wheels and the polyethylene bar (a) must be wedged with the cleat (b).

Symbol	Meaning	Symbol	Meaning
	Medical Device		Model number
	Read instructions before use		Serial number
	CE mark		Maximum user weight
	Warning (to be found in the instructions)		Date of manufacture
	Do not dispose of in domestic waste		Latex free
	Manufacturer		

Identification label :

The identification label is attached to the frame of your wheelchair.

A sample label is shown below.

	VIPAMAT (www.vipamat.com)	Made in France	
	3 rue Gustave Eiffel		
	56270 PLOEMEUR France		
	+33-297 862 487(Outside USA)	832848533(USA)	
FAUTEUIL HIPPOCAMPE PISCINE			
SWIMMING-POOL WHEELCHAIR HIPPOCAMPE			
Ref	0002-TS-02-BU	Size TS	Qt 1
SN	000000	LOT 900000	286 Lbs
			130 Kg
			
			
(01)03664560000084(10)900000(21)000000			

UDI number (Unique Device Identifier)

Check out our tutorial channel on **Youtube**
and follow our news on **Facebook** and **Instagram**.



Vipamat



Vipamat
World



Vipamat

Notes

A series of horizontal dashed lines for writing notes.

Notes

A series of horizontal dashed lines for writing notes.



Hippocampe Swimming pool



EN12-02-V2-EN*31/10/2023

EN

VIPAMAT

3 rue Gustave Eiffel - 56270 PLOEMEUR (France)

Tél : +33 (0)2 97 86 24 87 - Fax : +33 (0)2 97 86 73 81

www.vipamat.com - contact@vipamat.com