

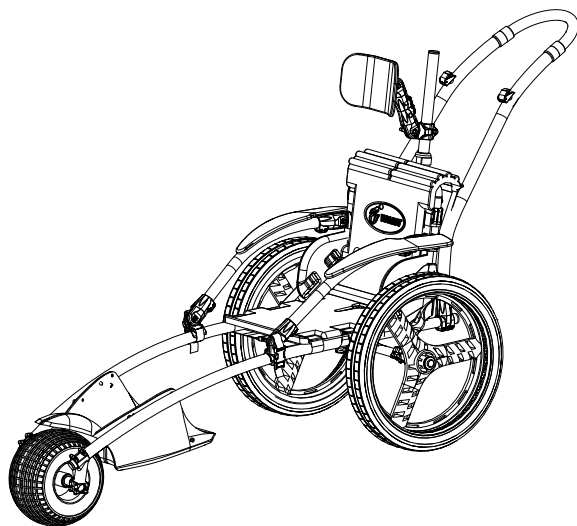
HIPPOCAMPE[®]



Hippocampe Beach and All Terrain Wheelchair

User Manual and Assembly Instructions

S : 0001-TS-02-BM	L : 0001-TL-02-BM
0027-TS-02-BM	0027-TL-02-BM
0001-TS-02-RO	0001-TL-02-RO
0027-TS-02-RO	0027-TL-02-RO
M : 0001-TM-02-BM	XL : 0001-TX-02-BM
0027-TM-02-BM	0027-TX-02-BM
0001-TM-02-RO	0001-TX-02-RO
0027-TM-02-RO	0027-TX-02-RO



The headrest and armrests on this drawing are options.

VIPAMAT

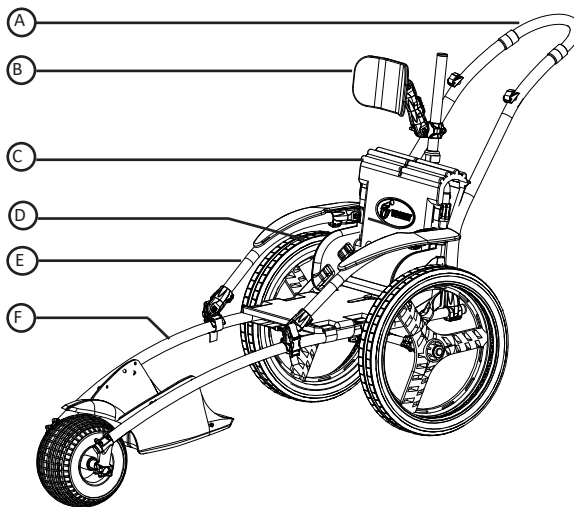
3 rue Gustave Eiffel - 56270 PLOEMEUR (France)
Phone : +33 2 97 86 24 87 - Fax : +33 2 97 86 73 81
www.vipamat.com - contact@vipamat.com

Congratulations ! You have just acquired a Hippocampe Beach and All Terrain wheelchair by Vipamat. The Hippocampe wheelchair will accompany you in all your outdoor activities. This multipurpose and comfortable chair will give you access to the beach, seashore and bathing areas. You can also make the most of hikes in the mountains, forests and walks on snow-covered terrain. It has been specially designed for persons with reduced mobility of all ages.

Table of Contents

1 Discover your Hippocampe wheelchair.....	p2	3.7 Assembly of the optional armrest nets.....	p19
2 Legal and Safety Information	p4	3.8 Assembly of the optional footrest nets.....	p21
2.1 Safety Precautions and precautions for use.....	p4	3.9 Assembly of the wheel covers.....	p23
2.2 Compliance declaration and warranty terms.....	p5	3.10 Assembly of the optional harness.....	p25
2.3 Maintenance and Servicing.....	p5	3.11 Assembly of the push bar.....	p27
3 Assembly of the Hippocampe wheelchair.....	p7	3.12 Assembly of the optional handlebar.....	p29
3.1 Assembly of the double wheels.....	p7	3.13 Assembly of the optional rain canopy.....	p31
3.2 Assembly of the optional parking brakes.....	p9	3.14 Assembly of the optional umbrella.....	p33
3.3 Assembly of the optional fixed or adjustable backrest.....	p11	4 Assembly of the leisure options.....	p35
3.4 Assembly of the optional armrests.....	p13	4.1 Assembly of the optional balloon wheels.....	p35
3.5 Assembly of the optional headrest.....	p15	4.2 Assembly of the optional ski kit and rear ski set.....	p37
3.6 Assembly of the optional waist belt.....	p17	4.3.Attachment of the optional Stabilo seat.....	p39

I Discover your Hippocampe Beach and All Terrain Wheelchair



The Hippocampe Beach and All Terrain Wheelchair is available in 4 sizes: S, M, L and XL.

- | | | |
|-------------------------|--------------------------------|---|
| (A) Push bar | (B) Adjustable headrest | (C) Reclining backrest |
| (D) Double wheel | (E) Removable armrests | (F) Frame of the Hippocampe wheelchair |

IMPORTANT

Keep this instruction manual in a safe place.

It is essential to strictly respect the recommendations and advice given in this document.

The optional add-ons available with the Hippocampe Beach and All Terrain wheelchair :



Adjustable backrest



Parking brakes



Adjustable armrests



Height-adjustable headrest



Waist belt



Dual harness



Armrest nets



Footrest net



20" wheel covers



Thermal cover



Transport bag



Backrest bag



Front ski



Set of rear skis



Balloon wheels



Stabilo seat



Rain canopy



Umbrella



Handlebar

2 Legal and Safety Information

2.1 Safety precautions and precautions for use

1. It is imperative to strictly follow the recommendations and advice given in this document.



Before each use of the Hippocampe wheelchair, ensure that the wheels are correctly secured and firmly attached to the frame. To do this, pull each wheel outwards. (cf. 3.1)

2. Before each use of the wheelchair, ensure that the wheels and the push bar are locked by pressing on each clip and by checking that the clips protrude at the connecting parts (3.1).

3. Check that all the buckles of the harness and waist belt close correctly. The straps should be reasonably tightened and the buckles closed.

4. It is imperative that an accompanying person with the ability to guide, push and hold the wheelchair is present for each use of the wheelchair.

5. For safety reasons, the user must be seated towards the back of the seat, with his/her back resting against the backrest.

6. Check that the user's hands and feet are in the correct position during use (you can attach the protection nets if necessary).

7. The Hippocampe wheelchair must only be used under adult supervision if the user is a child.

8. The Hippocampe wheelchair has been designed to seat a single person with a maximum weight of 130 kg.

9. If your wheelchair does not have parking brakes, we recommend the utmost caution during use and especially on slopes.

10. Utmost caution is required in slopes and we recommend that the user is accompanied in this case.

11. Do not press too hard on the push bar when you want to lift the front wheel to turn.

12. Do not pass over obstacles higher than 10 cm with the Hippocampe wheelchair.

13. Do not pass under obstacles with the Hippocampe.

14. For safety reasons, do not use the Hippocampe wheelchair if the angle of the slope is greater than 7°.

15. Do not stand on the wheelchair or on the footrest.

16. Do not modify the Hippocampe wheelchair in any way and never use components other than those provided by Vipamat. The wheelchair should not be used if one of the components is faulty.

17. The seat and the backrest of the wheelchair comply with the M1 standard. However, the product must be kept away from fire or open flames.

18. To avoid all risks of injury or friction burns, it is not advised to brake using your hands when the wheelchair is on a slope.

19. It is not advised to use the wheelchair if a tire is burst or flat.

20. In the case of any doubt about the safe use of the Hippocampe wheelchair, do not further use the wheelchair until you have contacted Vipamat's customer service by telephone (00 33 (0)2 97 86 24 87) or by email (contact@vipamat.com).

Precautions for use at the beach and in the water :

21. The Hippocampe wheelchair enables the user to enter water up to the level of the seat and to stay in the water. It is not designed to float with the user in it. The wheelchair cannot be considered as a watercraft.

22. The user must always be accompanied by an adult on entering and leaving water and in the water.

23. The buoyancy of the front wheel may unbalance and push you backwards when entering water. It is advised in this case to lean slightly forwards.

24. The wheelchair must always be used in a supervised water.

25. It is compulsory to wear a life jacket in the water.

26. If you use a harness when entering the water and while bathing, extra supervision is necessary.



The wheelchair user must always be accompanied when in the water. Watch out for the rising tide and for waves along the shoreline.

2.2 Compliance declaration and warranty terms

Vipamat, as a manufacturer, declares that the Hippocampe Beach and All terrain, Class 1 device (classification in Europe) and Class 2 (classification in the USA) and its medical device accessories comply with Regulation (EU) 2017/745 of the European Parliament and of the Council and complies with all applicable provisions of the European Directive 93/42/EEC and with Book II of the French Public Health Code.

This product is guaranteed for 2 years "parts and labor" from the purchase date (as per the invoice). The warranty covers the replacement of faulty parts. This warranty is not applicable in the case of improper use and does not take account of normal wear and tear of the wheelchair parts. Given the conditions in which the Hippocampe wheelchair can be used, its expected lifespan is 4 years after the purchase date.

The serial number of the product is engraved on the back axle of the frame. Each optional add-on has its own serial number engraved on it. This number may also be printed on the label on the packaging or on the optional add-on.

To dispose of the Hippocampe wheelchair in the trash, go to a recycling center and put it in the right recycling category.

2.3 Maintenance and Servicing

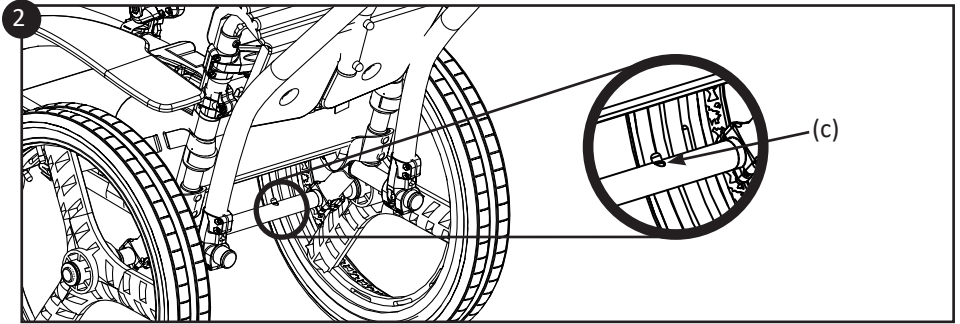
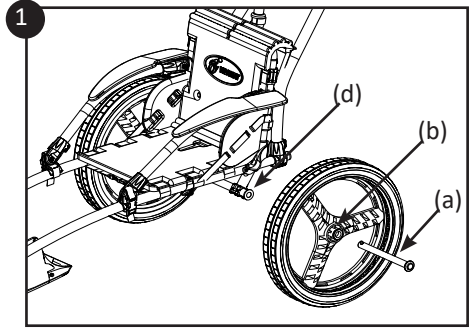
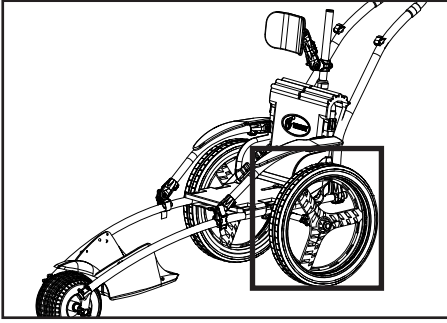
The Hippocampe Beach and All Terrain wheelchair has been designed to resist sea water. It is composed of aluminium, plastic and stainless steel parts from the nautical and cycling industries.

The wheelchair must be rinsed well with fresh water after being used in the sea.

Vipamat assumes no responsibility in the case of deterioration due to this oversight.



The Hippocampe wheelchair must be systematically rinsed after use in the sea. Without this regular maintenance, salt deposits could damage the structure.



3 Assembly of the Hippocampe wheelchair

3.1 Assembly of the double wheels (0009-00-02)

- 1 Insert the half axle (a) into the hub (b) by pressing on the clip (c), then insert it into the frame axle (d).
- 2 Turn the half axle in the wheel to make sure the clip protrudes (c) from the frame axle.

Checks:

- Check that the half axles of the double wheels are secured by pressing on the clip (c) and by ensuring that it protrudes from the frame axle.



Inflate the double wheels at 0.5 bars for soft sand and at 1.5 bars for hard terrain.

The serial number of the double wheels is engraved on the half axle of the wheels.



QR Code :

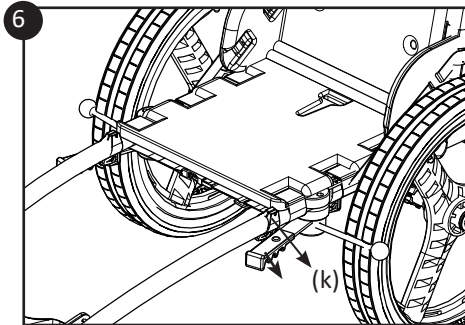
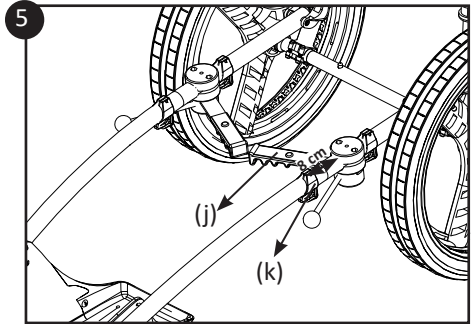
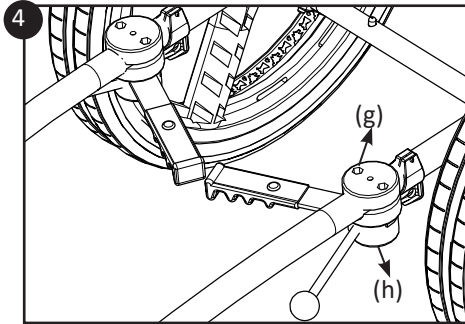
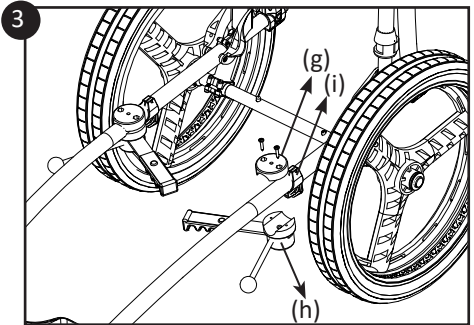
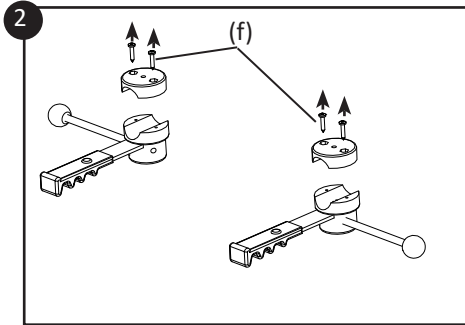
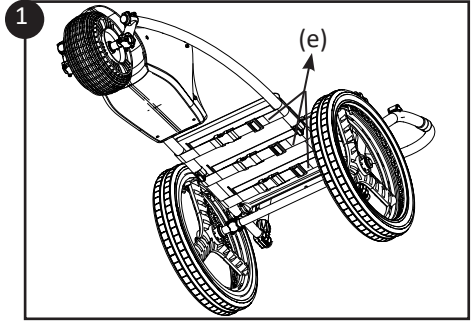
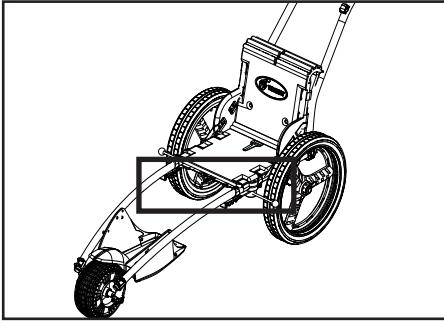
The tutorial for the assembly of this option is available in video on Youtube.

Tutorial name :

TUTO #6 : Pair of wheels- Paire de roues



SCAN ME



3.2 Assembly of the optional parking brakes (0006-00-01)

- ① Unlock the straps (e) positioned under the seat.
- ② Unscrew the two screws (f) of the brake footrest to separate both parts.
- ③ Position part (g) of the brake on top the frame tube and part (h) under the frame tube tight against the stopper (i).
- ④ Screw part (g) onto part (h) by alternating the tightening and check that the rod is perfectly horizontal.



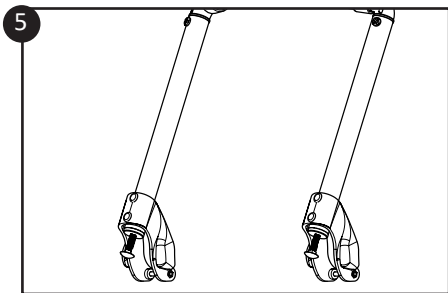
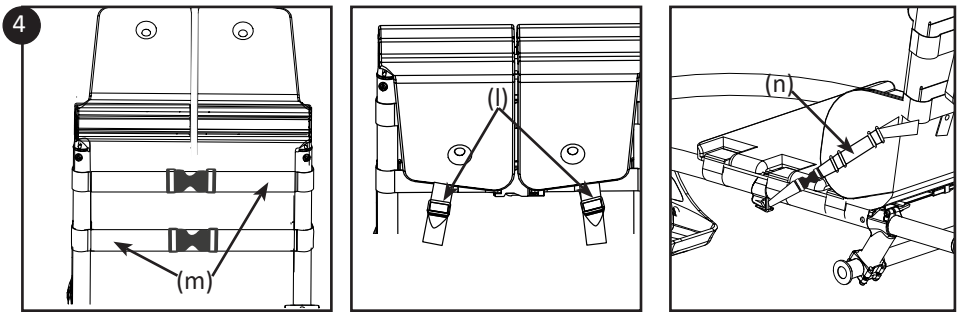
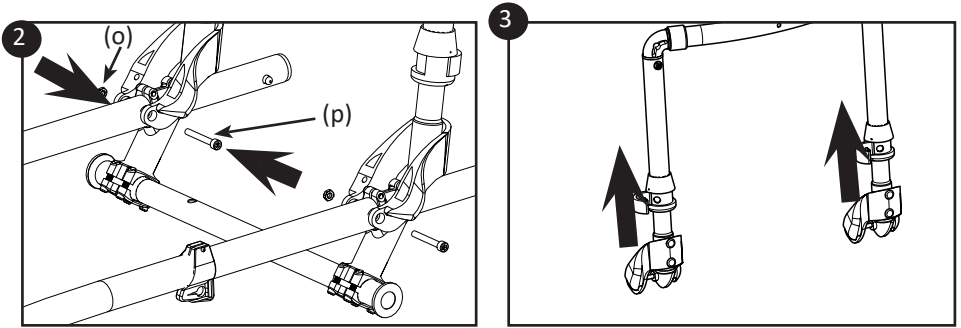
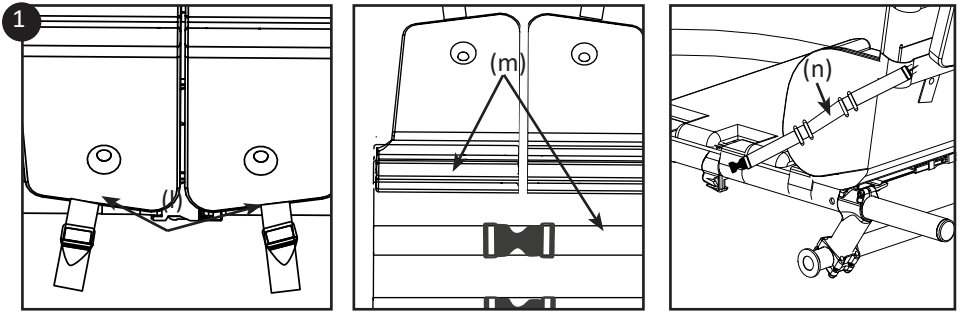
Leave 2 mm between part (g) and part (h) of the parking brake.

- ⑤ Position the brake stop (k) 8 cm from the brake block and tighten the screw.
- ⑥ To apply the brake, place the black handle (j) under the stop (k) by blocking the handle against it.

Checks:

- Check that the brakes are positioned horizontally.
- Check that the brake blocks are stable (they should not rotate).
- Check that the brake rod is in contact with the tire when the brake is applied. This immobilizes the wheelchair.

The serial number of the brakes is engraved on each of the stainless steel brake rods.



3.3 Assembly of the fixed backrest (0004-00-01) or of the optional adjustable backrest (0005-00-01)

- ① Open the buckles of the vertical straps (l) then unclip the belt straps (m) and the 2 lateral straps (n) of the Hippocampe wheelchair seat.
- ② To attach the backrest to the frame tubes: position the backrest on the frame tubes, insert the nuts (o) in the groove provided and tighten the screws (p) using the Allen key provided.

Checks:

The backrest should be able to tilt forward and the screws (p) should protrude from the nuts (o) by about 3 mm.

③ Adjustment of the height for the adjustable headrest only :

Open the push-lock system, adjust the headrest to the desired height and then lock the push-lock system.



If you have to assemble a headrest or a pair of armrest, move directly onto step 3.4 (next page) before replacing the straps.

④ Reposition all the straps in the wheelchair seat:

- Buckle the 2 large horizontal straps (m) and tighten them well using the belt loops, gently tighten.
- Insert the 2 vertical straps (l) into the buckles and tighten them, gently tighten.
- Buckle the small lateral straps (n) by passing them around the tube of the backrest.

Checks:

Check that the buckles of the large straps (m) (40 mm) remain secured when you pull on each side of the buckle.

Check that the straps (m) tight and fit through the slots of the seat.

Check that the 2 vertical straps (l) of the seat pass through the loops of the strap and are tightened.

Check that the lateral diagonal straps (n) on both sides of the frame pass around the vertical tube of the backrest and are tightened when the backrest is upright.

Check that all the buckles are secured.



Adjusting the tilt of the backrest: to adjust the tilt, adjust the tightness of the 2 screws (q) at the base of the headrest. N.B.: the 2 screws must protrude by the same length.

The serial number of the fixed or adjustable backrest is engraved on the lower part of one of the vertical tubes.



QR Code :

Tutorials for the assembly of this option are available in video on Youtube.

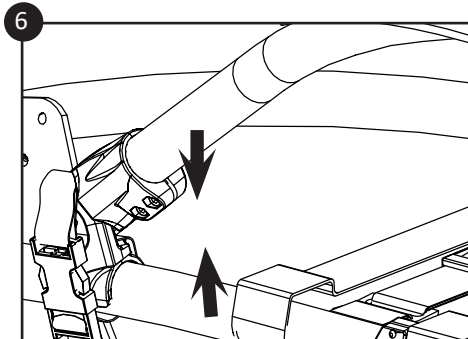
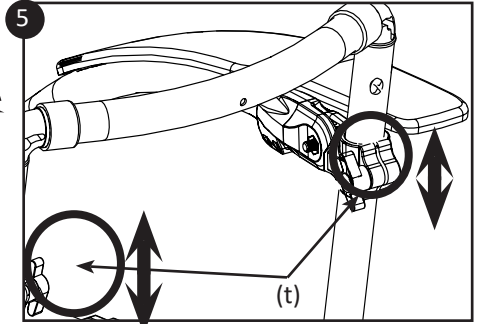
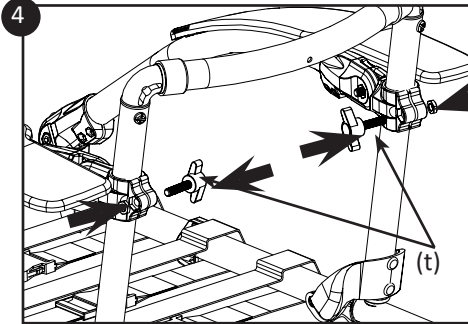
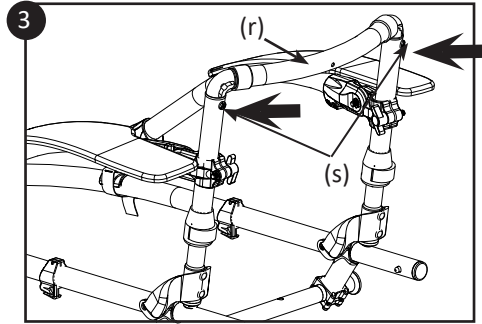
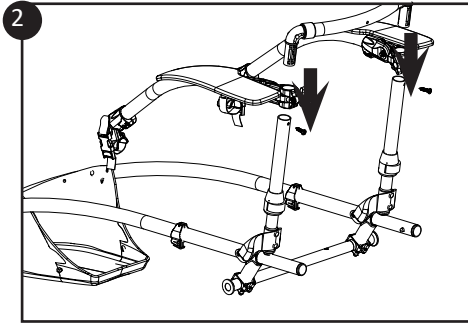
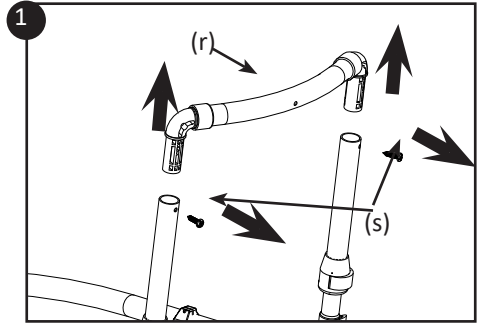
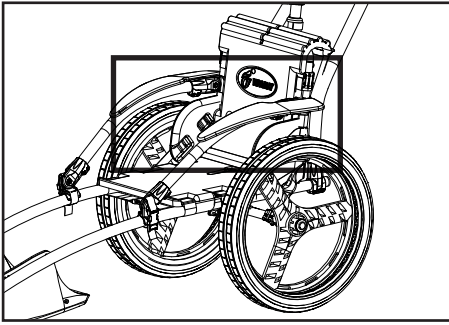
Tutorial name :

TUTO #2 : Fixed backrest - Dossier Fixe

TUTO #3 : Adjustable backrest - Dossier Réglable



SCAN ME



3.4 Assembly of the optional adjustable and retractable armrests (0007-00-02-RO and 0007-00-02-BM)

① Remove the upper part of the backrest:

- Unscrew the 2 screws (s) with a phillips screwdriver.
- Remove the upper part (r) from the rest of the backrest.

② Introduce the upper linking parts of the armrest into the vertical tubes of the backrest.



N.B.: if you have to assemble a headrest, do not replace the upper part of the backrest and move directly onto step 4.

③ Replace the upper part of the backrest (r) and tighten the 2 screws (s) in the upper part of the backrest.

④ Assemble the armrests using the wing screws (t) on the upper linking part of the armrest.

⑤ Adjust the height of the armrests using the upper linking part of the armrest and tighten the 2 wing screws (t).

⑥ Pass the small strap around the tube and fasten the buckle.

Checks:

- Check that the armrests are positioned above the wheels and that there is no rubbing.
- Check that the wing screws (t) are situated inside the backrest.
- Check that the upper part of the backrest is completely slotted into the vertical tubes of the backrest.
- Check that the locking screws of the backrest are tightened and that the backrest is stable.



To replace all the straps, move onto step 3.4 of page 11.

The serial number is engraved on the lower part of the two armrest tubes.



QR Code :

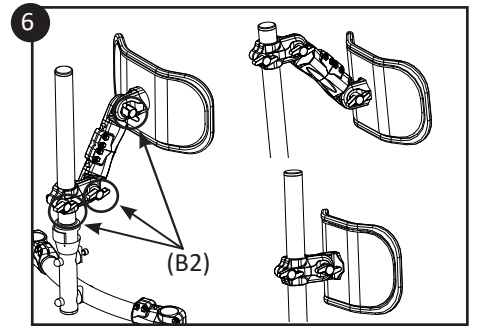
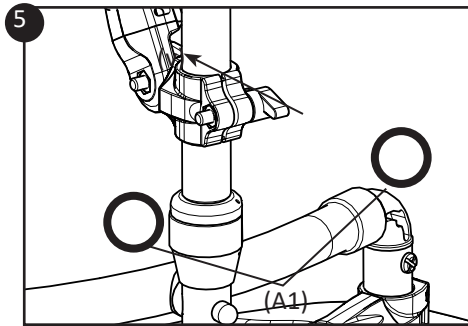
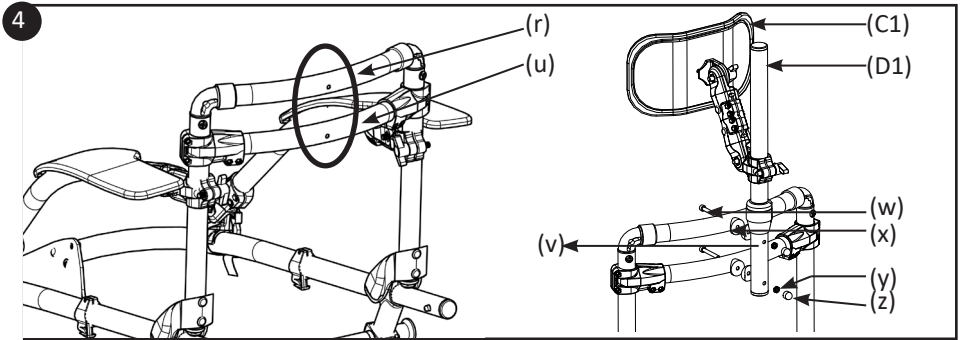
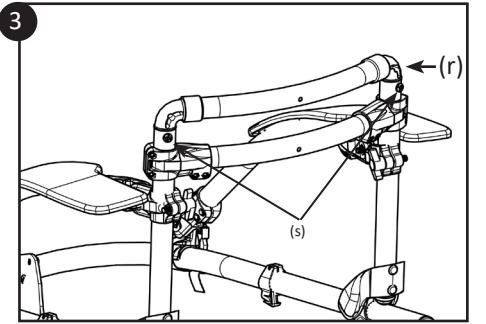
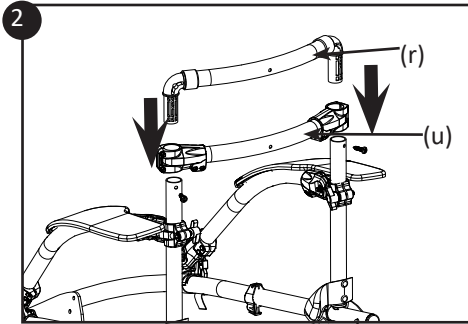
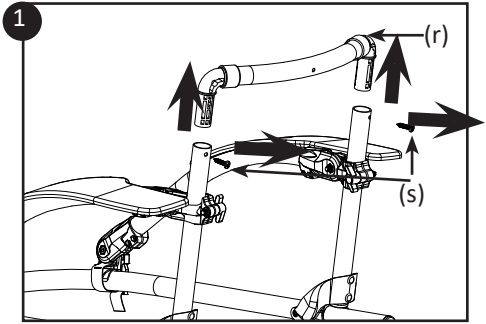
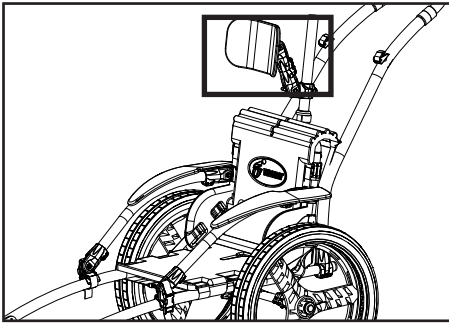
The tutorial for the assembly of this option is available in video on Youtube.

Tutorial name :

TUTO #4 : Armrests - Accoudoirs



SCAN ME



3.5 Assembly of the optional headrest (0008-00-05)

❶ Remove the upper part of the backrest:

- Unscrew the 2 screws (s) with a phillips screwdriver.
- Remove the upper part (r) from the rest of the backrest.

❷ Introduce the horizontal curved bar (u) into the vertical tubes of the backrest, the curved parts (r) and (u) must be parallel.

❸ Replace the upper part of the backrest (r) and tighten the 2 screws (s) in the upper part of the backrest.

❹ Slot the vertical tube (v) into the two horizontal curved parts (r) and (u).

Introduce the screws (w) into the curved parts (r) and (u) then into the washers (x) and lastly into the vertical tube (v) of the headrest. Position the tube (v) vertically then tighten the screws (w) using the nuts (y) with the Allen key and the open-end wrench provided. Position the nut cover (z).

❺ Tighten the screws (A1) with the Allen key provided to lock the tube in a vertical position (v).



Ensure that the vertical tube is well positioned so that the push-lock opening is towards the back.

Checks:

- Check that all the screws are well tightened.
- Check that the headrest is not loose.
- Check that the headrest is stable and that the push lock is secured.

❻ Adjust the headrest by loosening the 3 knobs (B2), then place it in the desired position and immediately tight the 3 knobs (B2).

In order to store or transport your wheelchair more easily, you can remove the upper part of the vertical tube (D1) and the headrest (C1) by unlocking the push lock.

Note: for users who do not need to adjust the anterior position, it is possible to attach the headrest plate (C1) directly to the part (D1) by removing the headrest extension.



To replace all the straps, move onto step 3.4 of page 11.

The serial number of the headrest is engraved on the headrest tube.



QR Code :

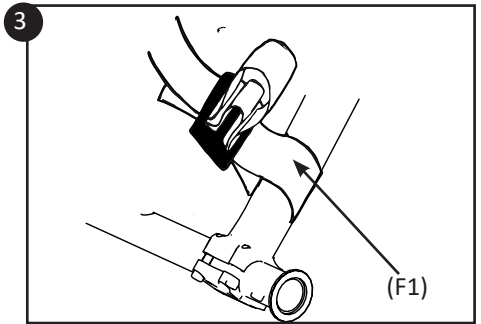
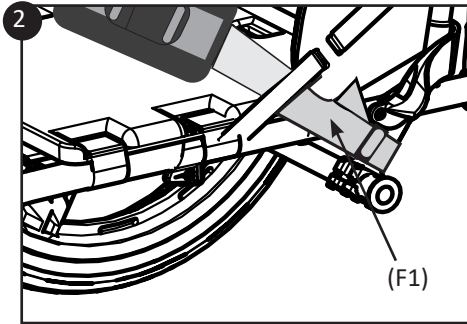
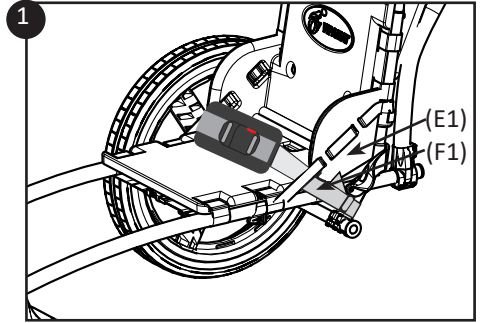
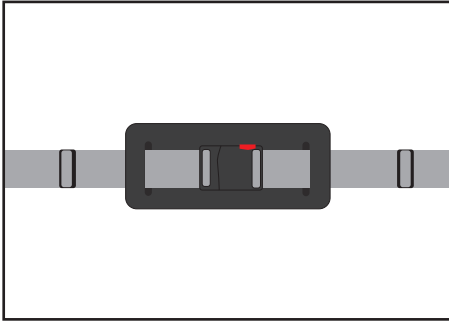
The tutorial for the assembly of this option is available in video on Youtube.

Tutorial name :

TUTO #5 : Adjustable headrest - Appui-tête réglable



SCAN ME



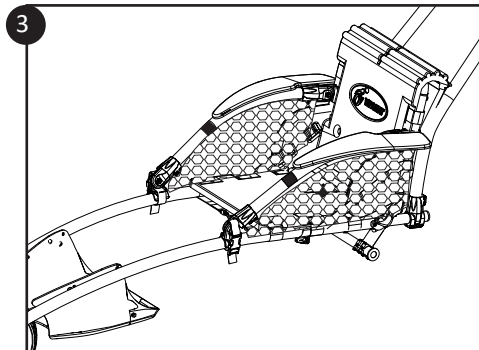
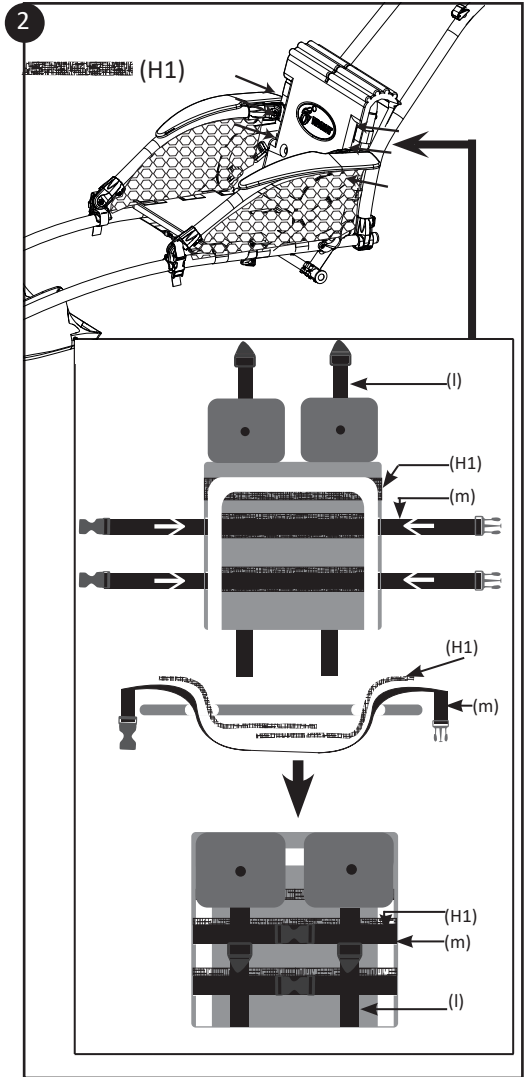
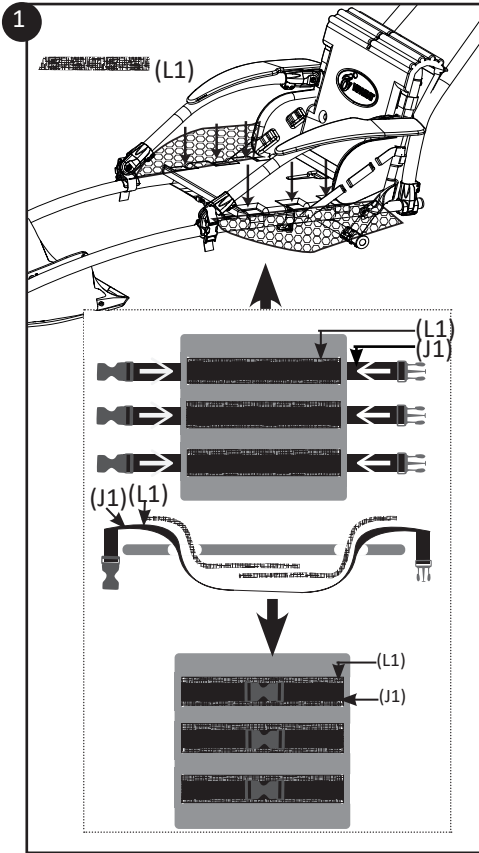
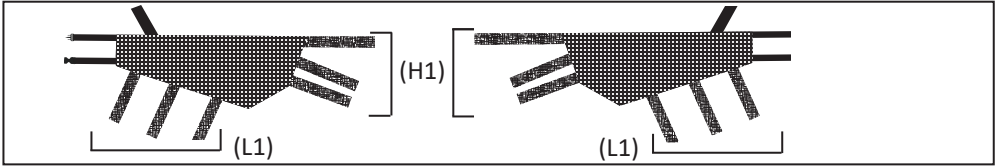
3.6 Assembly of the optional waist belt (0024-00-01)

- ❶ Place the belt on the seat and pass the strap (F1) inside part (E1).
- ❷ Pass the strap (F1) so that it goes around the frame tube from the outside towards the inside.
- ❸ Pass the strap again through the belt loop and make it protrude by at least 2 cm, then tighten.

Checks:

- Check that the belt is solidly attached to the Hippocampe frame.

The serial number of the belt can be found on the label of the product packaging.



3.7 Assembly of the optional armrest nets (0032-00-01)

- 1 Pass all the velcro straps (L1) to both sides of the seat in the space provided for these seat fastening straps. Unbuckle the 3 straps (J1) under the seat and attach the 3 straps (L1) of the armrest nets with the velcro straps. Buckle the 3 straps (J1) under the seat.
- 2 Pass all the velcro straps (H1) to both sides of the backrest in the spaces provided for these backrest fastening straps. Unbuckle the straps (m) and (l) behind the backrest and attach the straps (H1) of the armrest nets with the velcro straps. Buckle the straps (m) and (l) of the backrest.
- 3 Attach the straps of the nets around the armrest tube.

Checks:

- Check that all the buckles of the seat are secured.
- Check that the nets are tightened.

The serial number of the armrest nets can be found on the label of the product packaging.



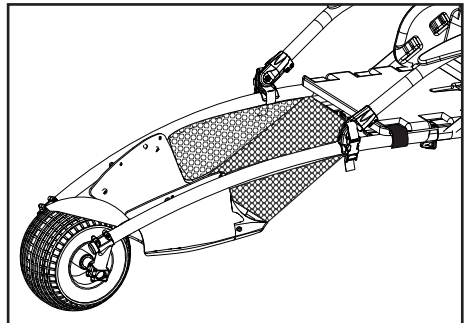
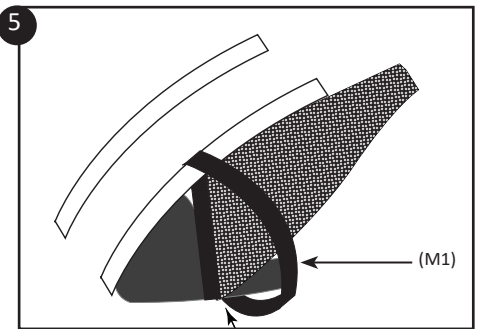
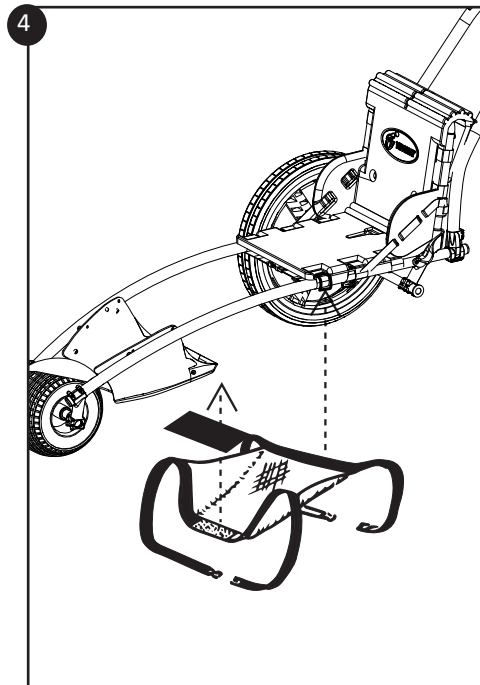
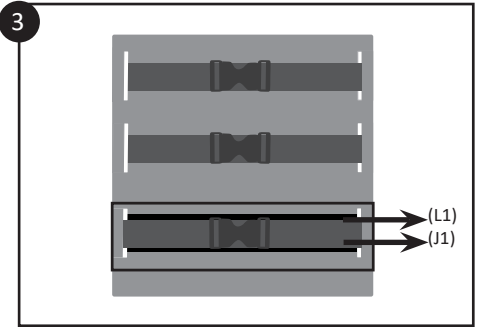
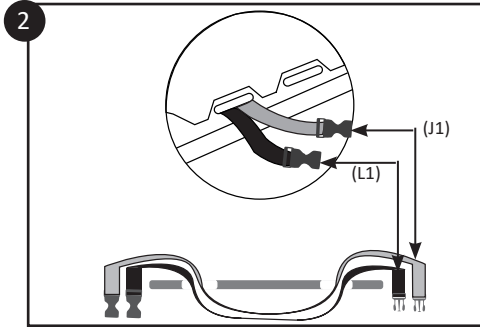
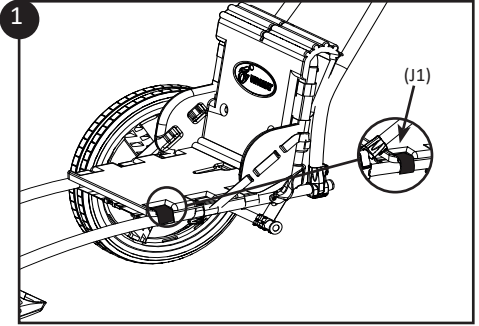
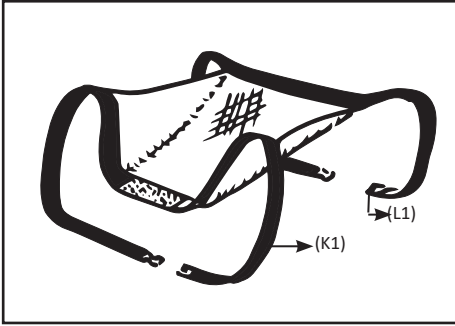
QR Code :

The tutorial for the assembly of this option is available in video on Youtube.

Tutorial name :

TUTO #8 : Safety net part 1 - Filet d'accoudoirs, partie 2





3.8 Assembly of the optional footrest net (0033-TM-01, 0033-TL-01, 0033-TX-01)

- ❶ Unbuckle the strap (J1) located under the seat of the Hippocampe wheelchair and position the net under the seat.
- ❷ Insert the strap (L1) of the footrest net under the strap (J1) into the loops of the seat.
- ❸ Buckle the straps (L1) and (J1).
- ❹ Extend the net and stick the adhesive strip of the velcro strap under the footrest.
- ❺ Pass the strap (M1) of the footrest net around the tubes from the inside to the outside and buckle the strap.

Checks:

- Check that all the buckles are secured.
- Check that the net is tightened.

The serial number of the footrest net can be found on the label on the product packaging.



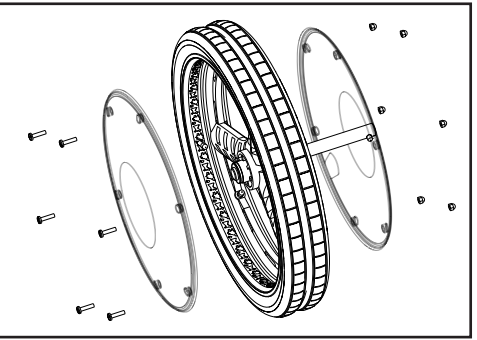
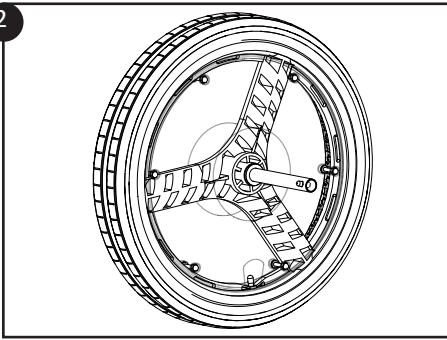
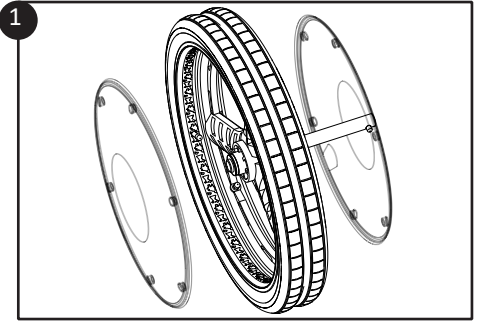
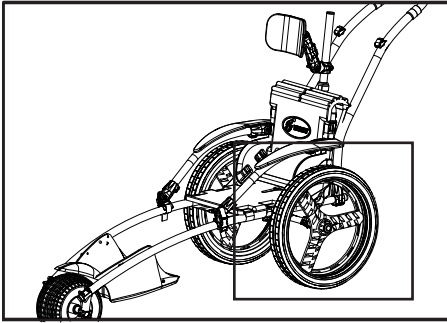
QR Code :

The tutorial for the assembly of this option is available in video on Youtube.

Tutorial name :

TUTO #7 : Safety net part 1 - Filet de protection, partie 1





3.9 Assembly of the optional wheel covers (0044-00-02)

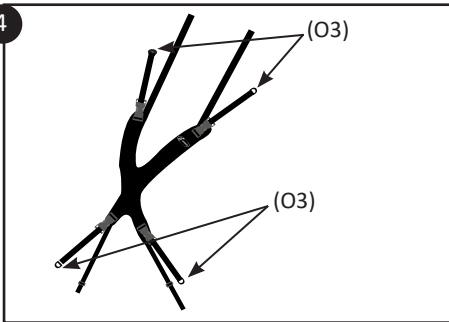
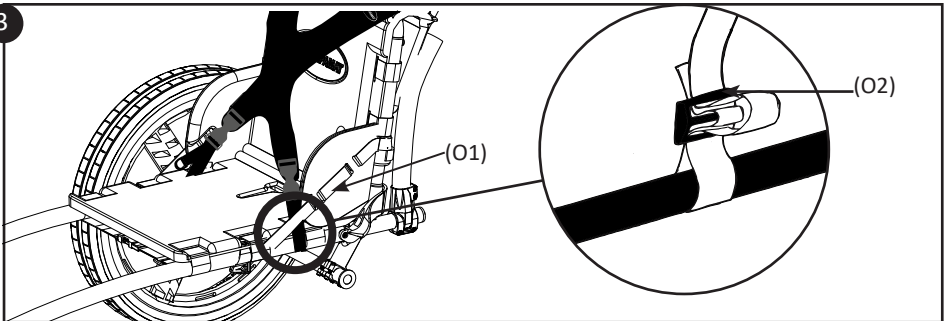
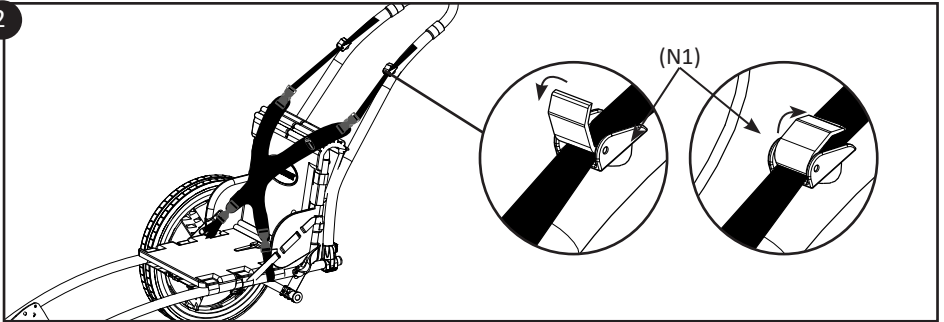
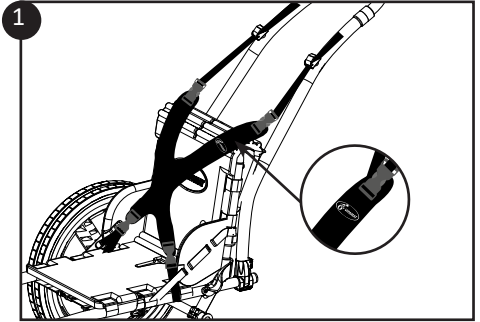
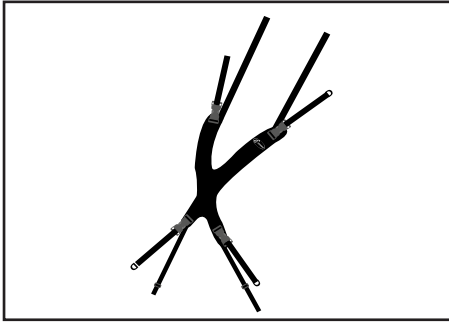
① Position a wheel cover on the outside of the wheel. Then place the second cover inside the wheel by ensuring that the spaces for the screws are facing each other.



A space has been provided to allow access to the valve. Make sure this space is positioned correctly.

② Assemble the two wheel covers with the screws and the cap nuts in all the spaces provided and tighten the screws.

The serial number of the wheel covers can be found on the label of the product packaging.

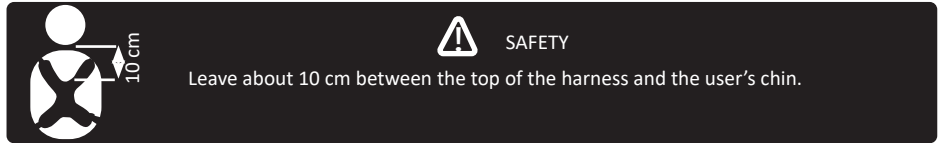


3.10 Assembly of the optional harness (0013-00-02)

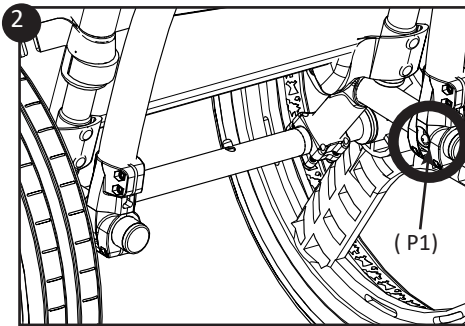
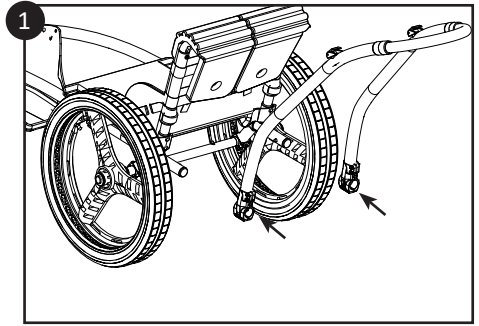
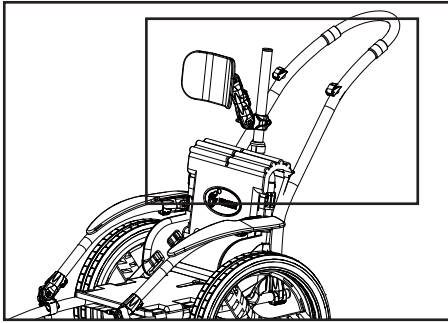
- 1 Assemble the harness by ensuring that the logo is correctly positioned (see diagram).
- 2 Open the lift buckles (N1) of the push bar. Pass the upper straps of the harness from the bottom upwards through the lift buckles (N1) of the push bar and fasten by pressing them upwards.
- 3 Pass the lower straps inside part (O1) of the seat, then pass them around the frame tube.
Pass the strap once again into the loop (O2) by ensuring it protrudes by at least 2 cm, then tighten.
- 4 Use the buckles (O3) to adjust the height and the strap tension of the harness.

Checks:

- Check that the harness is positioned correctly.
- Check that the straps are securely fastened by pulling on each side on each of the buckles (O3).



The serial number of the harness can be found on the label of the product packaging.



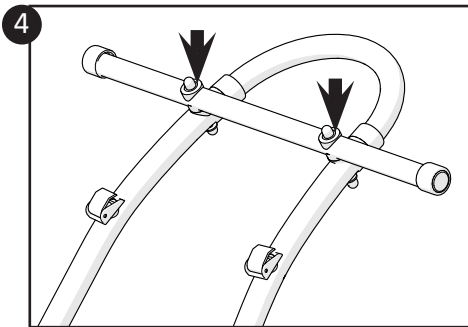
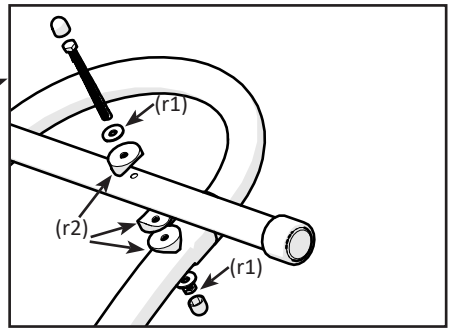
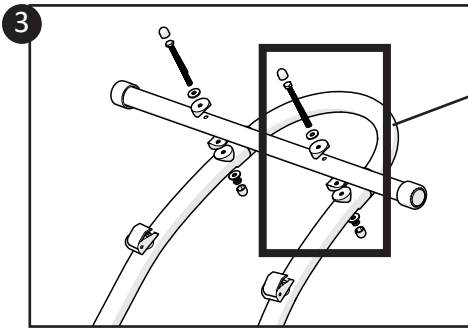
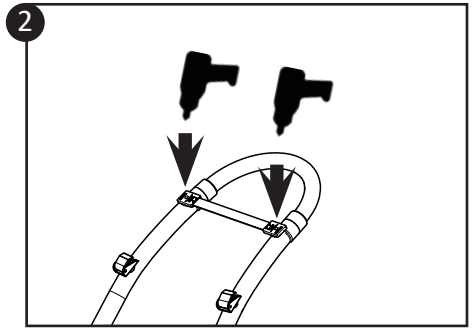
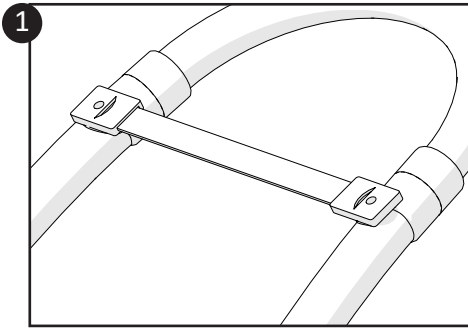
3.11 Assembly of the push bar (0003-00-03-BM) (0003-00-03-RO)

- ❶ Insert the 2 brackets of the push bar into the frame tubes as far as the clips.
- ❷ Press the 2 clips simultaneously so as to insert the push bar. The two clips should protrude.

Checks:

- Check that the push bar is locked by pressing on the clip and by checking that it protrudes from the bar (P1).

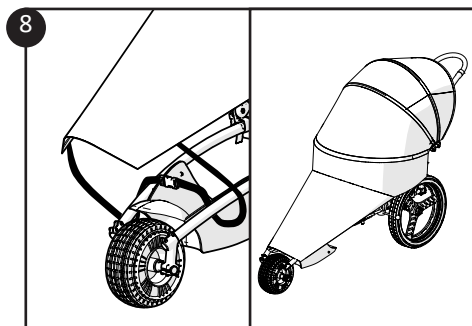
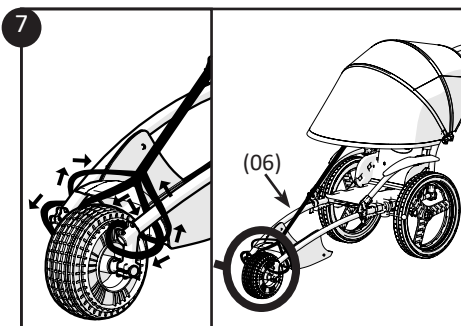
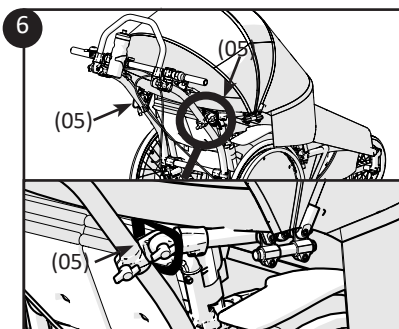
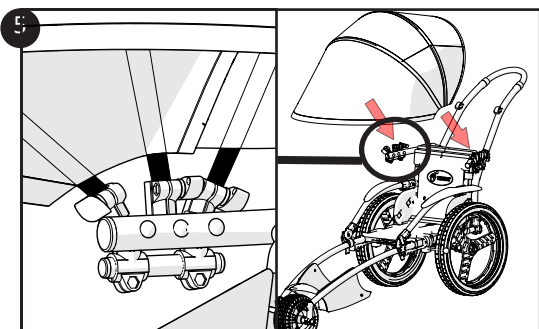
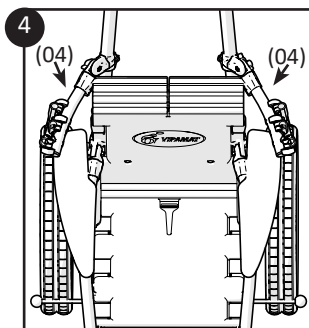
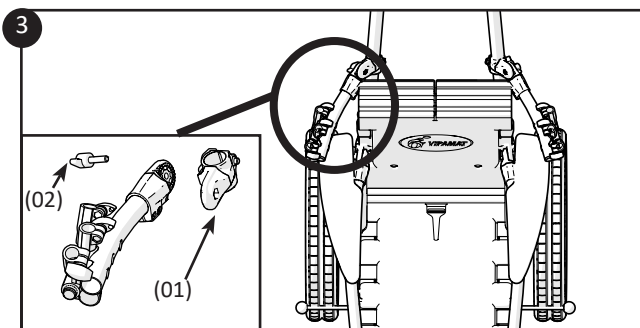
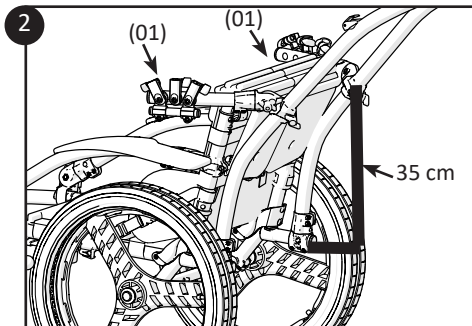
The serial number of the push bar is engraved on the bottom side of the push bar.



3.12 Assembly of the optionnal handlebar (0019-00-03)

- ❶ Place the handlebar drilling jig under the push bar sheath stop rings.
(The drilling jig can only be placed in one direction)
- ❷ Drill the push bar with $\varnothing 6.5$ mm on each side.
- ❸ Place the two washers (r1), the three form washers (r2) and the screws in the holes, then tighten the 10 mm nuts, taking care to position the handlebars perpendicular to the to the push bar.
- ❹ Place the caps on the screw heads and nuts.

The serial number of the handlebar is engraved in the centre of the tube.



3.13 Assembly of the canopy option (0160-TM-02) (0160-TL-02) (0160-TX-02)

- ❶ To assemble the canopy option, prepare all the parts as shown on the picture.
- ❷ Open the two elastic parts (01) and place them on the push bar at a height of 35 cm from the lower end of the push bar (right and left).
- ❸ Tighten the wing screws (02).
- ❹ The two canopy supports (04) must face upwards and away from the chair.
- ❺ Install the 3 end caps on each side in each canopy support (04).
- ❻ Lock the two straps (05) to the rear of the canopy supports (04).



Zip the two parts of the canopy together to make a single unit. The Vipamat label on the canopy should be towards the front of the chair.

- ❼ You can install the top of the canopy alone by attaching the front strap (06) as shown in the diagram: At the top under the label, pass the strap through the magnetic button.

At the bottom, pass the strap:

- Inside the frame tubes ;
 - Go around the stem (grey parts);
 - Come back from the back;
 - Pass in front of the first turn of the strap;
 - Return to the clamping point from the outside of the frame tubes;
- (do not install this strap if the legs protection is installed).

- ❽ To install the legs protection, strap the bottom of the protection around the frame tubes from the outside to the inside.



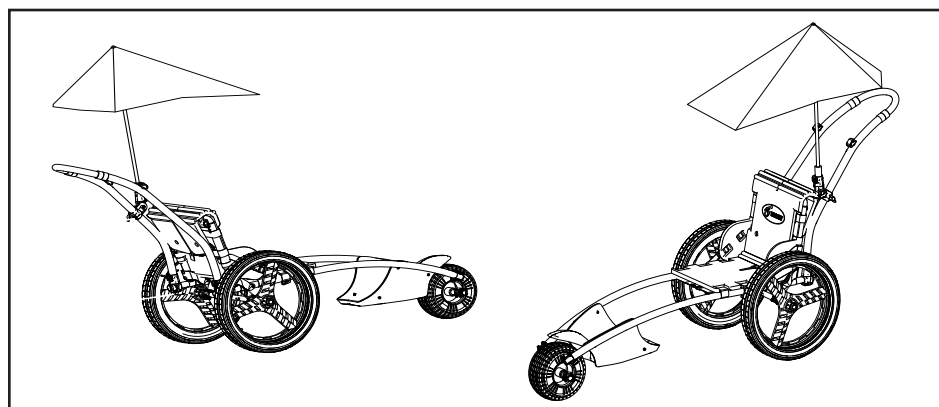
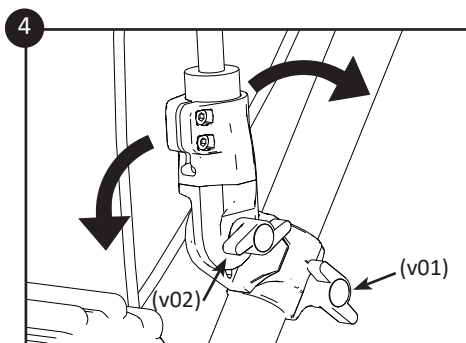
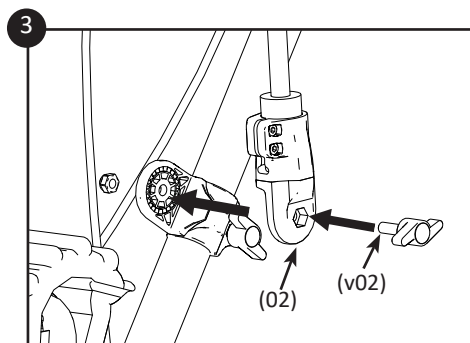
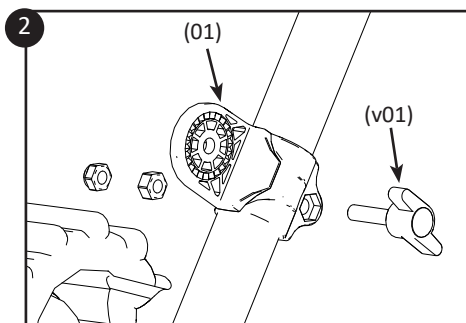
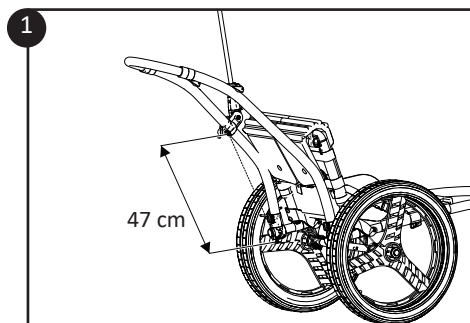
QR Code :

The tutorial for the assembly of this option is available in video on Youtube.

Tutorial name :

TUTO #9 : Rain canopy with leg protection - Capote avec protection jambes





3.14 Assembly the umbrella option (0162-00-02)

- 1 Open elastic piece (01) to place it on the push bar (on the right or on the left).
Place part (01) at least A (47 cm ,18.50 in) from the bottom of the push bar.



For a better orientation of the asymmetrical umbrella, the part (01) is always placed with the flat connecting side facing left of the frame (when you are on the chair).

- 2 Tighten the wing screw (v01) of the part (01) to securely fix it to the push bar. Pass it through the nut (03) and through the braked nut (04).
- 3 Tighten the wing screw (v02) of the umbrella's toothed end cap (02) on the flat side of the part (01).
- 4 To orientate the umbrella to your liking, unscrew and re-screw the umbrella wing screw (v02) and the wing screw of the part (v01).



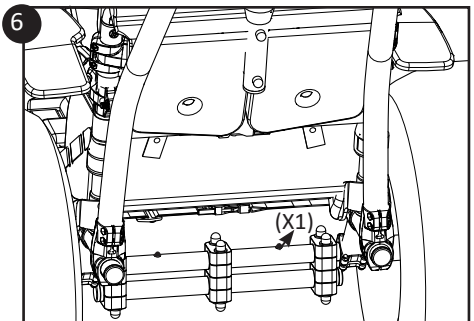
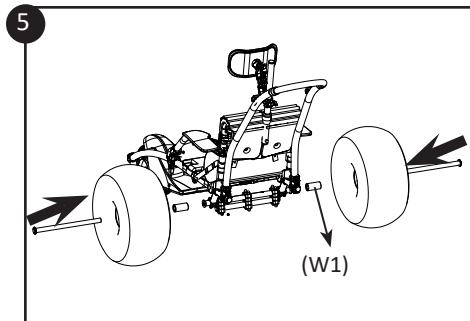
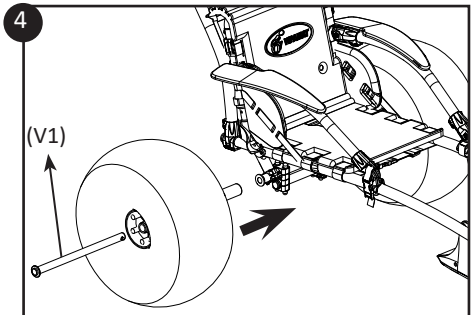
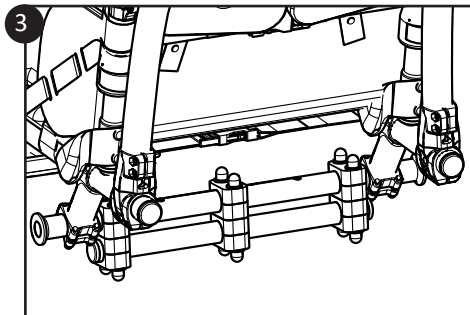
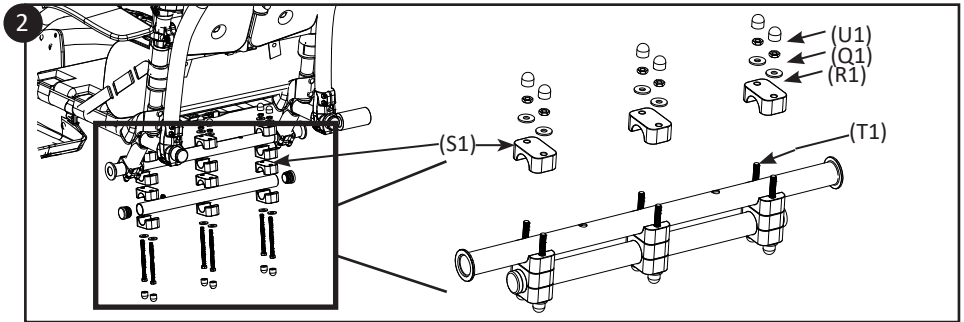
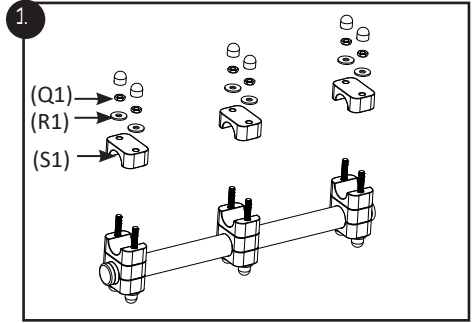
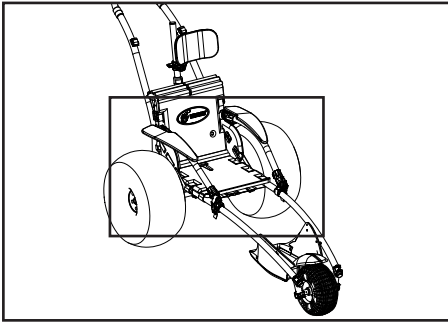
QR Code :

The tutorial for the assembly of this option is available in video on Youtube.

Tutorial name :

TUTO #10 : Umbrella - Ombrelle





4 Assembly of the leisure options

4.1 Assembly of the optional balloon wheels (0010-00-01)

Part 1: Assembly of the support axle of the balloon wheels

① Take the reinforcement axle, unscrew the 6 nuts (Q1) and remove the 6 washers (R1). Then remove the 3 upper half collars (S1).

② ③ Position the reinforcement axle under the frame tube and then reposition the half collars (S1) on the frame tube. Tighten all the screws (T1) and bolts (Q1) then the washers (R1) and place the nut covers (U1) on the screws (T1).



Make sure the 3 half collars are evenly placed along the back axle.

Checks:

- Check that the support axle is centred on the back axle of the frame and that the screws are tightened.

Part 2: Assembly of the balloon wheels

④ Insert the half axle (V1) into the balloon wheel.

⑤ Slide the spacer (W1) onto the half axle.

⑥ Insert the half axle (V1) into the frame by ensuring the clip (X1) of the central axle protrudes.

Checks:

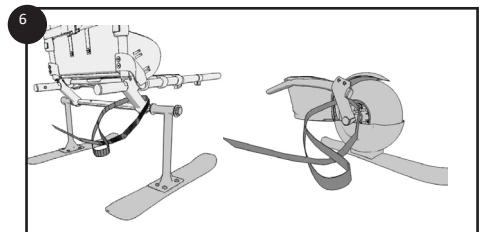
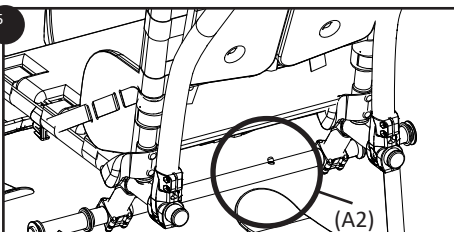
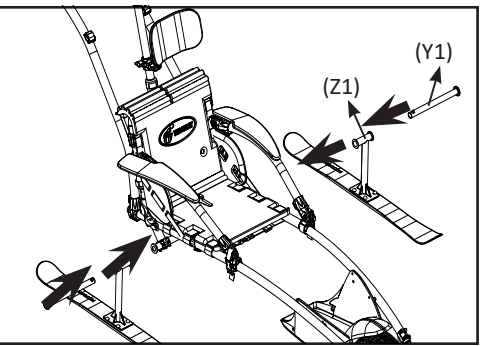
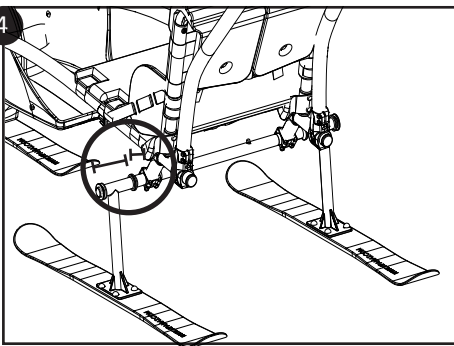
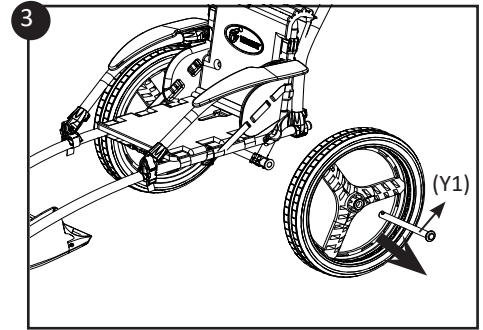
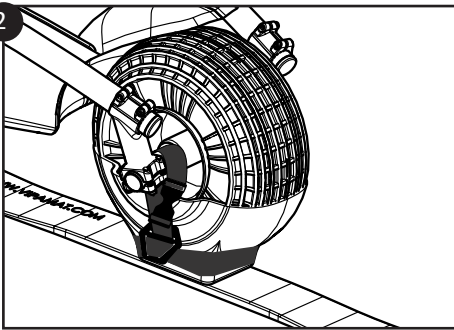
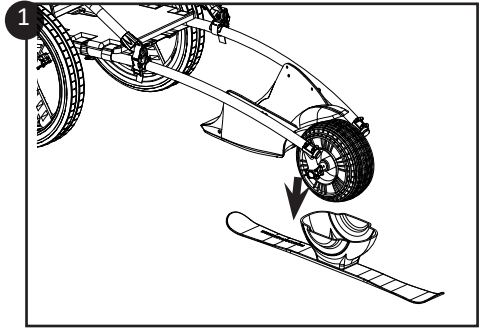
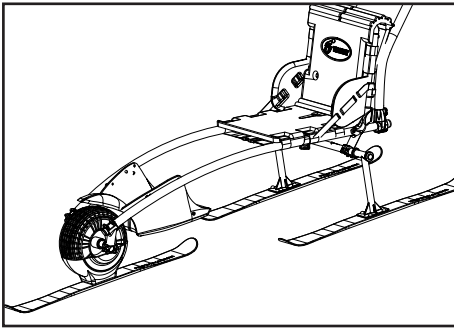
- Check that the half axles of the balloon wheels are secure by pressing on the clip (X1) and by ensuring that it protrudes from the frame axle.



To inflate or deflate the balloon wheels, always use an inflation needle.

When taking a plane, partially deflate the balloon wheels to avoid dilation at high altitude. As the low pressure wheels dilate when inflated, they must be inflated to a diameter of 50 cm.

The serial number of the balloon wheels is engraved on the half axle of the balloons wheels.



4.2 Assembly of the optional front ski and the optional pair of rear skis

Assembly of the optional front ski (0014-00-01)

- 1 Position the front wheel of the Hippocampe wheelchair in the white shell of the front ski and push the wheel in.
- 2 Position the two buckles on both sides of the stem and secure them well.
The serial number of the front ski is engraved on the top of the ski.

Assembly of the optional pair of rear skis (0023-00-02)

- 3 Press on the clip at the back of the frame to remove the two wheels from the Hippocampe wheelchair. Remove the two half axles (Y1) from the rear double wheels by pressing on the clip.
- 4 Insert the two half axles (Y1) into part (Z1) of the pair of rear skis. The long part of the ski support tube must be placed on the frame side. Insert the half axles (Y1) into the frame.
- 5 Ensure that the clip (A2) protrudes from the central axle.

Checks:

- Check that the half axles of the pair of rear skis are secured by pressing on the clip and ensuring that it protrudes from the central axle.

- 6 To attach the red strap two positions are possible:
 - the accompanying person pushes the wheelchair with the push bar: attach the red strap to the back stem of the frame.
 - the accompanying person tows the wheelchair with the towing kit: attach the red strap to the front stem of the wheelchair.



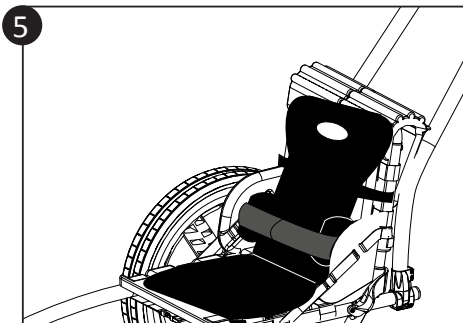
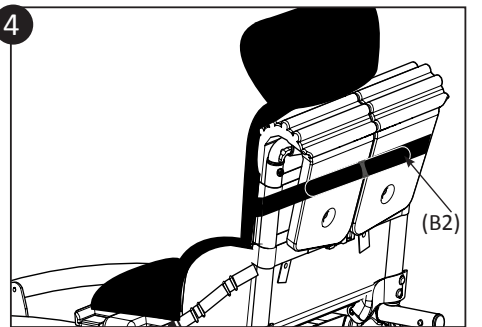
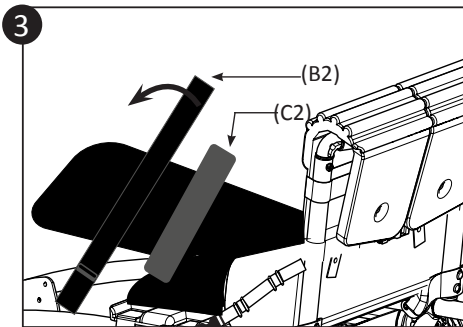
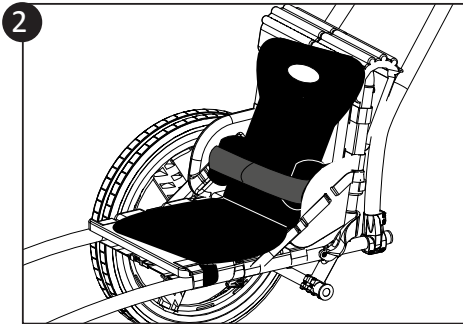
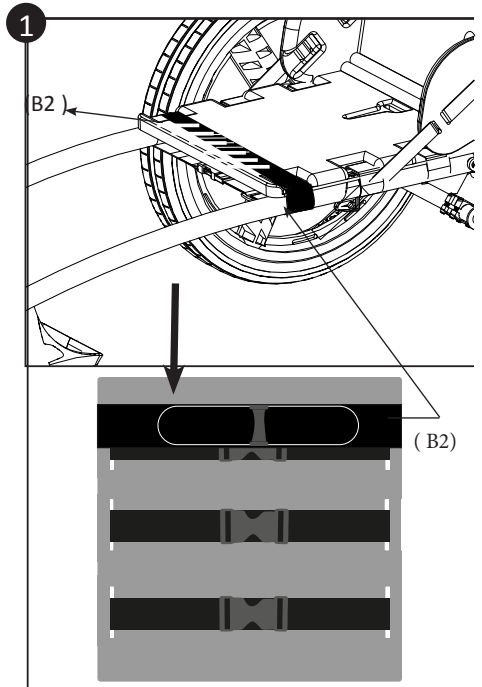
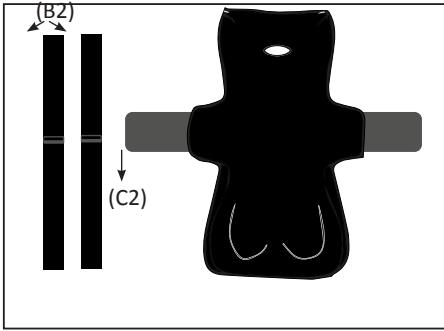
The accompanying person must secure the red strap around his/her wrist whenever the wheelchair is in motion.



N.B.: Safety precautions for using the Hippocampe wheelchair with the front and rear ski kits

- Do not use the Hippocampe wheelchair on ski slopes or toboggan runs.
- Always use the Hippocampe wheelchair with its ski kit in the presence of an accompanying person with the ability to hold the wheelchair and its user and to hold the safety strap.
- Do not use on a snow-covered slope greater than 10%.
- A safety helmet must be worn.

The serial number of the rear ski set is engraved on the axle of the ski.



4.3 Attachment of the optional Stabilo seat Comfortable Plus Duo velcro (0050-TS-01, 0050-TM-01,0050-TL-01) on the Hippocampe wheelchair

- ➊ Position the velcro strap (B2) on the seat of the Hippocampe wheelchair with the grip part (indicated by striped part in the drawing) facing upwards. Secure the velcro strap (B2) by passing the strap into the loop then by attaching it to the "velvet" part of the velcro strap.

Checks:

- Check that the velcro strap is tightened and firmly fastened.












- ➋ Position the Stabilo Comfortable Plus Duo on the velcro strap placed on the seat of the wheelchair. The Stabilo will attach itself to the grip part of the velcro strap.
- ➌ Tilt the backrest of the Stabilo Comfortable Plus Duo forward and position the second velcro strap (B2) on the upper part of the Stabilo backrest.
- ➍ Pass the strap around the backrest of the wheelchair and then secure the velcro strap (B2).
- ➎ Adjust the waist belt (C2).

Checks:

- Check that the Stabilo Comfortable Plus Duo is securely fastened to the Hippocampe wheelchair.

The Comfortable Plus Duo velcro seat is an optional add-on distributed by Vipamat that adapts to the Hippocampe wheelchair.








For safe use of the product, refer to its specific Instruction Manual.

Symbole	Signification	Symbole	Signification
	Medical Device		Model number
	Read instructions before use		Serial number
	CE mark		Maximum user weight
	Points of attention (to be found in the leaflet)		Date of manufacture
	Do not dispose of in domestic waste		Latex free
	Manufacturer		

Identification label :

The identification label is attached to the frame of your wheelchair.

A sample label is shown below.

 VIPAMAT (www.vipamat.com) Made in France			
3 rue Gustave Eiffel 56270 PLOEMEUR France		 	
+33-297 862 487(Outside USA)		832848533(USA)	
FAUTEUIL HIPPOCAMPE WHEELCHAIR HIPPOCAMPE			
Ref	0001-XX-02-XX	Size	XX
Qt	1		286 Lbs
SN	000000	LOT	900000
		02/07/2002	130 Kg
			
(01)03664560000008(10)900000(21)000000			

UDI number (Unique Device Identifier)

Find our tutorial channel on **Youtube**
and follow our news on **Facebook** and **Instagram**.



Vipamat



Vipamat
World



Vipamat

Notes

A series of horizontal dashed lines for writing notes.

Notes

A series of horizontal dashed lines for writing notes.

Notes

A series of horizontal dashed lines for writing notes.



HIPPOCAMPE[®]



EN

Hippocampe Beach and All Terrain



EN12-01-V2-EN*25/07/2023

EN

VIPAMAT

3 rue Gustave Eiffel - 56270 PLOEMEUR (France)

Phone : +33 2 97 86 24 87 - Fax : +33 2 97 86 73 81

www.vipamat.com - contact@vipamat.com